



IMPORTANT SAFETY RULES

READ, UNDERSTAND, AND FOLLOW ALL INSTRUCTIONS CAREFULLY
BEFORE INSTALLING AND USING THIS PRODUCT !

Round Steel Frame Pool

OWNER'S MANUAL FOR FOLLOWING SIZES:

- Φ10' x 30"(Φ3m x 76cm)
- Φ12' x 30"(Φ3.6m x 76cm)
- Φ14' x 33"(Φ4.2m x 84cm)



Drawing for illustration purpose only. Actual product may vary. Not to scale.

Detailed information of product model and size is shown at the end of this manual!

STOP!

DO NOT RETURN PRODUCT TO STORE

SHANGHAI JILONG SPORT AND LEISURE PRODUCTS CO., LTD
2555 XiuPu Road, Pudong Area, Shanghai, China.
www.avenli.com

JIANGSU JILONG SPORT AND LEISURE PRODUCTS CO., LTD
NO.1 Industrial Area South Zhongchen Road Zhongyang Town, Suqian, Jiangsu, China



Please read carefully and keep for future reference.

CONTENTS

THE SAFETY INSTRUCTIONS	02
PART REFERENCE	04
SITE SELECTION	08
SET UP THE POOL	09
FILL THE POOL WITH WATER	10
WINTERISING AND LONG-TERM STORAGE	11
IN-SEASON POOL MAINTENANCE AND WATER CARE	12
TROUBLE SHOOTING	13
LIMITED WARRANTY	14

PART1-THE SAFETY INSTRUCTIONS

Carefully read, understand, and follow all information in this user manual before installing and using the swimming pool. These warnings, instructions, and safety guidelines address some common risks of water recreation, but they cannot cover all risks and dangers in all cases. Always use caution, common sense, and good judgment when enjoying any water activity. Please read carefully and keep for future reference.

Non Swimmers safety

- 1). Continuous, active, and vigilant supervision of weak swimmers and non-swimmers by a competent adult is required at all times (remembering that children under five are at the highest risk of drowning);
- 2). Designate a competent adult to supervise the pool each time it is being used;



- 3). Weak swimmers or non-swimmers should wear personal protection equipment when using the pool;

- 4). When the pool is not in use, or unsupervised, remove all toys from the swimming pool and its surrounding to avoid attracting children to the pool.

Safety devices

- 1). It is recommended to install a barrier (and secure all doors and windows, where applicable) to prevent unauthorized access to the swimming pool;
- 2). Barriers, pool covers, pool alarms, or similar safety devices are helpful aids, but they are not substitutes for continuous and competent adult supervision.

Safety equipment

- 1). It is recommended to keep rescue equipment (e.g. a ring buoy) by the pool;
- 2). Keep a working phone and a list of emergency phone numbers near the pool.

Safe use of the pool

- 1). Encourage all users especially children to learn how to swim;
- 2). Learn Basic Life Support (Cardiopulmonary Resuscitation - CPR) and refresh this knowledge regularly. This can make a life-saving difference in the event of an emergency;
- 3). Instruct all pool users, including children, what to do in case of an emergency;
- 4). Never dive into any shallow body of water. This can lead to serious injury or death;
- 5). Do not use the swimming pool when using alcohol or medication that may impair your ability to safely use the pool;

PART1-THE SAFETY INSTRUCTIONS

- 6). When pool covers are used, remove them completely from the water surface before entering the pool;
- 7). Protect pool occupants from water related illnesses by keeping the pool water treated and practicing good hygiene. Consult the water treatment guidelines in the user's manual;
- 8). Store chemicals (e.g. water treatment, cleaning or disinfection products) out of the reach of children.
- 9). Use the signage as outlined below;
- 10). Removable ladders shall be placed on a horizontal surface.
- 11). **Warning: a drained pool outdoors may cause unknown hazards.**

WARNING: Installation and assembly shall be done by adults.

WARNING: Read and follow the the instruction for use and maintenance to ensure a safe use of the swimming-pool kit. Not following the instructions for use and maintenance can cause serious health hazards, in particular for children.

WARNING: Only for domestic outdoor use.

WARNING: Drowning hazard. Children can drown in very small amounts of water.

WARNING: Empty the pool when not in use. Do not leave a small pool empty outdoor.



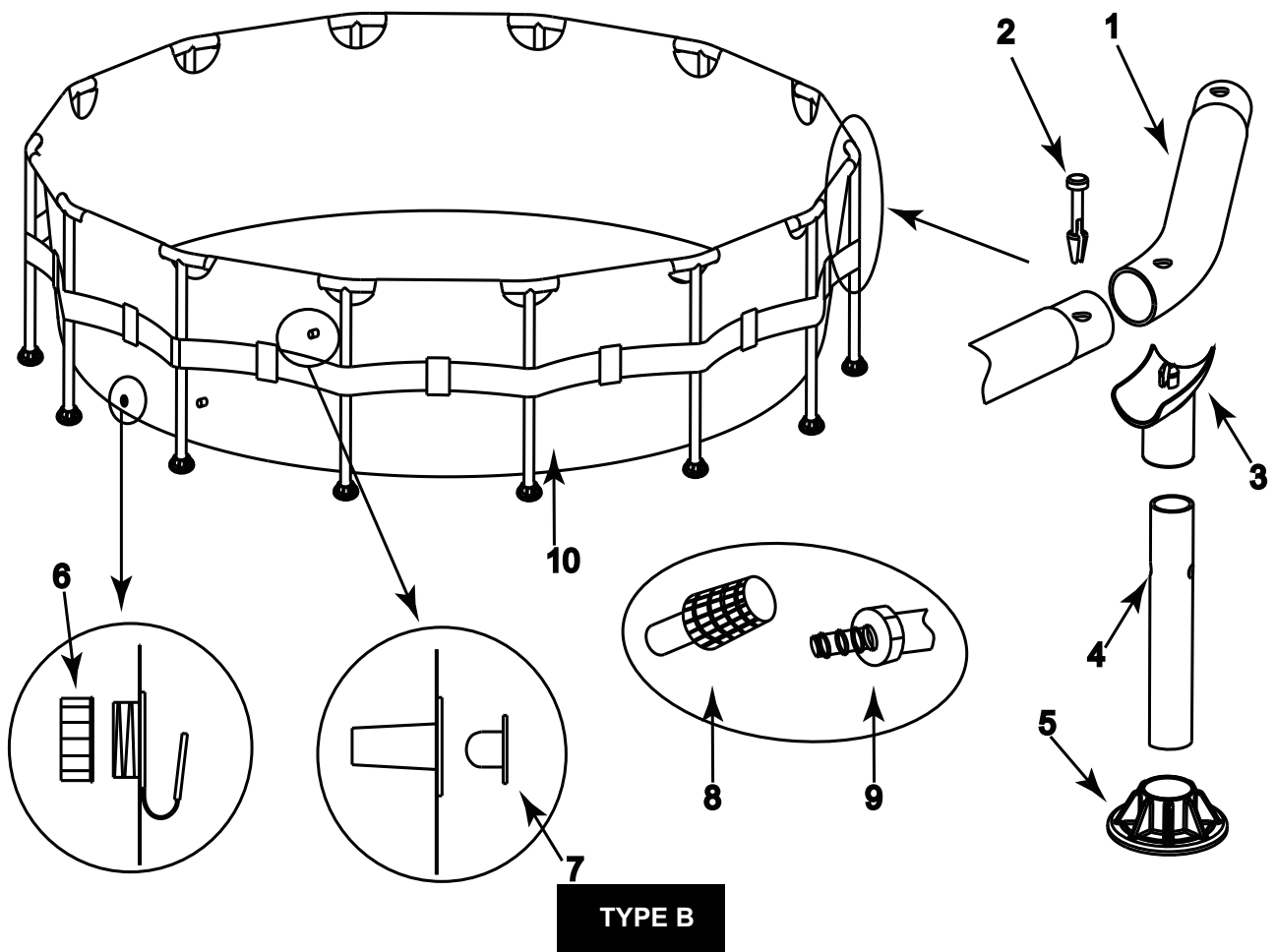
WARNING: Keep children under supervision in the aquatic environment.



WARNING: No diving.

This safety sign must be posted in a prominent visible position within 2m of the pool. Alternatively you may purchase a vinyl base glue (not included) to glue the sign to the pool wall next to the entry and exit point, assuring it is prominently visible to all users when approaching the pool.

PART2-PART REFERENCE



Before assembling your pool, layout and review the contents to become familiar with all the parts you will be using during the assembly:

NOTE: Drawing for illustration purpose only. Actual product may vary. Not to scale.

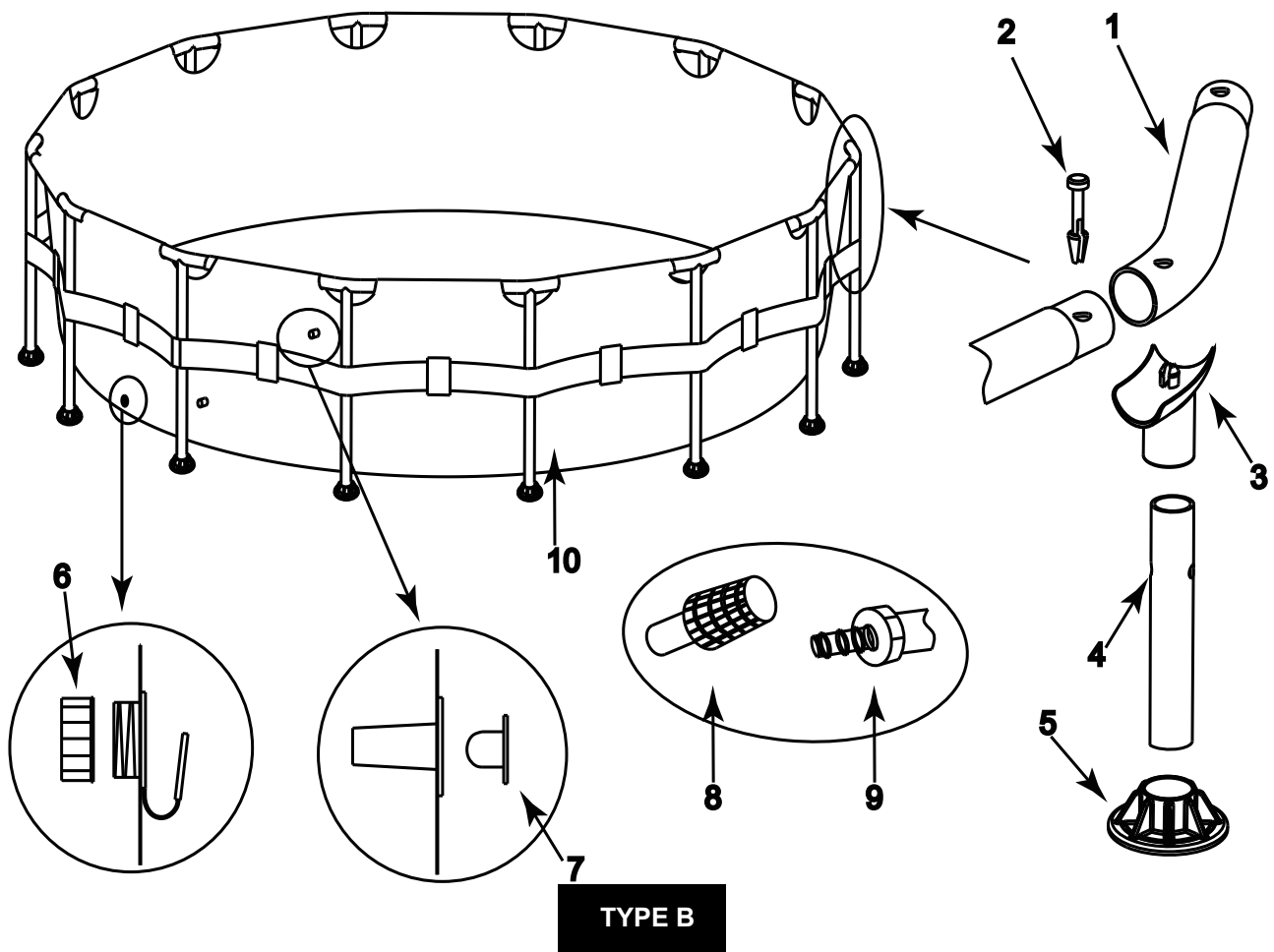
Model	Size	Water Capacity	Pump	Ladder
17798XX	Φ10' x 30" (Φ3m x 76cm)	1158Gal(4383L)	√	x
17798	Φ10' x 30" (Φ3m x 76cm)	1158Gal(4383L)	x	x

XX : DE/EU/GB/FR/IL/CH/BR

PART2-PART REFERENCE

Φ10'x30" (Φ3m x 76cm)			
NO.	NAME	QTY	SPARE PART
1	Horizontal Beam	8	290187
2	PVC Pin	8	290181
3	T-Joint	8	290317
4	Vertical Leg	8	290188
5	Vertical Leg Cap	8	290185
6	Drainage Valve Cover	1	290366
7	Stopper	2	290311
8	Hole Strainer	/	290312
9	Drainage Valve Connector	1	290364
10	Pool Liner	1	393248
	Color	BLUE	

PART2-PART REFERENCE



Before assembling your pool, layout and review the contents to become familiar with all the parts you will be using during the assembly:

NOTE: Drawing for illustration purpose only. Actual product may vary. Not to scale.

Model	Size	Water Capacity	Pump	Ladder
17799XX	Φ12' x 30''(Φ3.6m x 76cm)	1617Gal(6125L)	√	×
17799	Φ12' x 30''(Φ3.6m x 76cm)	1617Gal(6125L)	×	×
17800XX	Φ14' x 33''(Φ4.2m x 84cm)	2508Gal(9495L)	√	×
17800	Φ14' x 33''(Φ4.2m x 84cm)	2508Gal(9495L)	×	×

XX : DE/EU/GB/FR/IL/CH/BR

PART2-PART REFERENCE

	Φ12'x30" (Φ3.6m x 76cm)			Φ14'x33" (Φ4.2m x 84cm)	
NO.	NAME	QTY	SPARE PART	QTY	SPARE PART
1	Horizontal Beam	10	290197	12	393131
2	PVC Pin	10	290181	12	290181
3	T-Joint	10	290318	12	290183
4	Vertical Leg	10	290188	12	393132
5	Vertical Leg Cap	10	290185	12	290185
6	Drainage Valve Cover	1	290366	1	290366
7	Stopper	2	290311	2	290311
8	Hole Strainer	/	290312	/	290312
9	Drainage Valve Connector	1	290364	1	290364
10	Pool Liner	1	393249	1	393250
	Color	BLUE		BLUE	

PART3-SITE SELECTION

WARNING: Pools installed on inadequately level surfaces are subject to leaking, forming irregularities, or collapse, which can result in property damage or serious injury for those in or around the pool area!

WARNING: Do not use sand during setup process. If it appears that there is a need for use of a “leveling agent”, then your set-up site is likely unsuitable. FAILURE TO OBEY THIS WARNING MAY RESULT IN SERIOUS PERSONAL INJURY.

CAUTION: Please choose your set-up area carefully, as lawn and other desirable vegetation underneath the ground cloth(if applicable) will die. Furthermore, try to avoid setting the ground cloth(if applicable)in areas prone to aggressive plant and weed species, as they may grow through the ground cloth(if applicable).

CAUTION: The pool must be accessible to a 110 or 230-volt AC outlet protected by a Ground Fault Circuit Interrupter (GFCI). The pool should be set no closer than 2 m. to the power source, but no further than the length of the filter pump cord. Under no circumstances should an extension cord be used to extend the range of the connection.

It is absolutely essential to select a suitable site for your pool BEFORE attempting to fill it with any water. Please select a set-up site which strictly conforms to the following guidelines:

Guide1. Ensure that the area is firm, flat (no bumps or mounds of earth) and extremely level, with a grade not exceeding 3° of slope at any point in the set-up area.

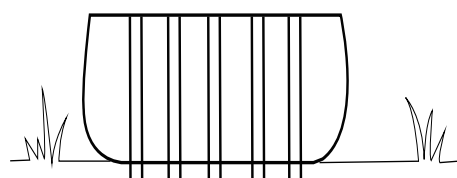
Guide2. Make sure that the area you have selected to set-up the pool is completely free of sticks, stones, sharp objects or other foreign debris.

Guide3. Select an area that is not directly underneath overhead power lines or trees. Additionally, make sure that the pool set-up area does not contain underground utility pipes, lines, or cables or any kind.

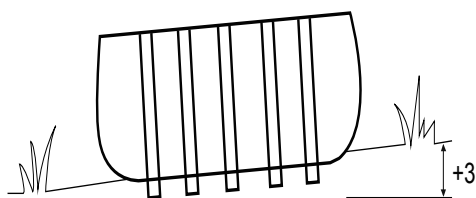
Guide4. If a ground cloth is provided with your pool kit, its use is highly recommended. The ground cloth will help protect the pool liner from damage due to weed growth, sharp objects, and debris.

Guide5. If at all possible, choose an open location on your property that is exposed to direct sunlight. This will help to warm your pool.

Flat,Level Ground-CORRECT



Bumpy,Sloping Ground-INCORRECT



PART4-SET UP THE POOL

IMPORTANT: Do not start assembly if any pieces are missing. For replacement pieces call the Consumer Service telephone number in your area.

The number of persons required for installation: 2 adult at least.

Total installation time except the time for site preparation and water filling :

30 minutes for size $\Phi 10' \times 30'' / \Phi 12' \times 30''$

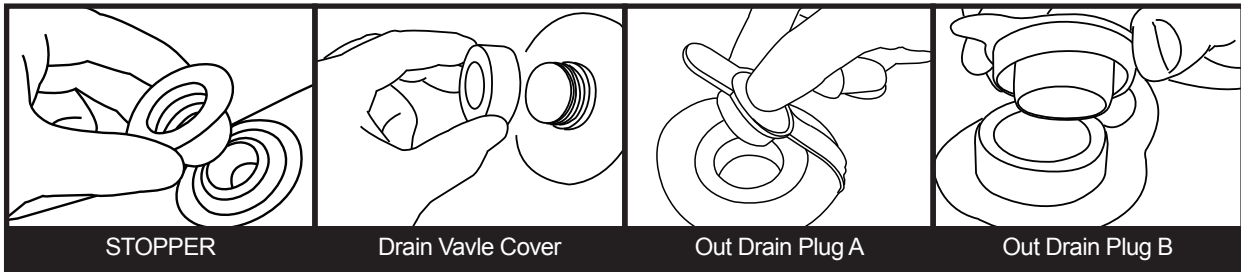
45 minutes for size $\Phi 14' \times 33''$

Step1. ACCOUNT FOR ALL PARTS.

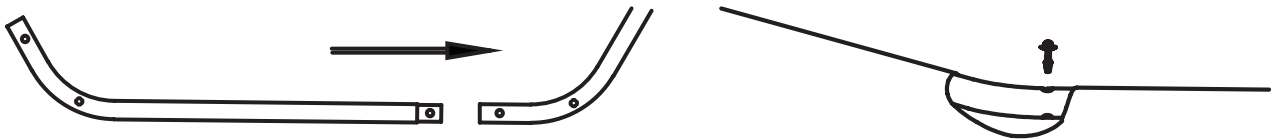
Remove all the parts from the carton(s) and place them on the ground in the location where they are to be assembled. Check each part according to "PART REFERENCE". Make sure all the pieces to be assembled are accounted for.

Step2. INSTALL DRAIN VALVES COVER AND STOPPER

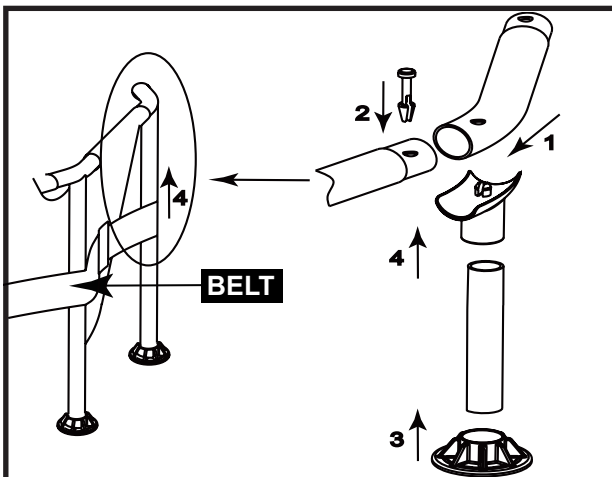
Make sure that outer drain plug is inserted into the outer drain cap and drain valve cover is screwed on tightly. Plug the connection holes with the stoppers. (The out drain plug changes according to different size of pool.)



Step3. INSTALL HORIZONTAL BEAM



Step4. INSTALL T-JOINT(FOR TYPE B)



1. Use the connection end of the T-Joint to connect the adjacent horizontal tubes.
2. Insert the Pin into the hole of connected horizontal tube and T-Joint firmly.
3. Install the vertical leg cap onto the vertical leg.
4. Insert the vertical leg into the T-Joint through the belt.

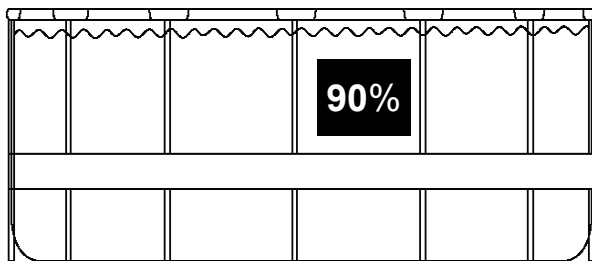
TIP: If you can't find the hole on the horizontal tube or vertical leg please rotate the tubes until the pin meets the hole.

PART5-FILL THE POOL WITH WATER

WARNING: Do not leave pool unattended while filling with water.

WARNING: If more than 1~2 inches of water collects on any one side before you start filling in the center. The pool is not level enough, and must be corrected! You shall pull out the drain plug, release the water completely, disassemble the pool completely, locate the pool on a plane surface, repeat set up instruction.

WARNING: DO NOT OVERFILL as this could cause the pool to collapse. In times of heavy rainfall you may need to empty some of the water to ensure the level is correct.



1. Make sure the drain fitting is plugged securely and the cap is in place. Start filling the pool with water. After about 1-inch of water is on the bottom, stop filling and smooth wrinkles out of the bottom of the pool. Pull the outer wall out from the top edge, all around the bottom of the pool, so that it fills evenly.

2. Continue filling the pool until water level .

PART6-WINTERISING AND LONG-TERM STORAGE

WARNING: Do not let your children stand at downfold and face the water outlet during the drainage. The water current may sweep your children.

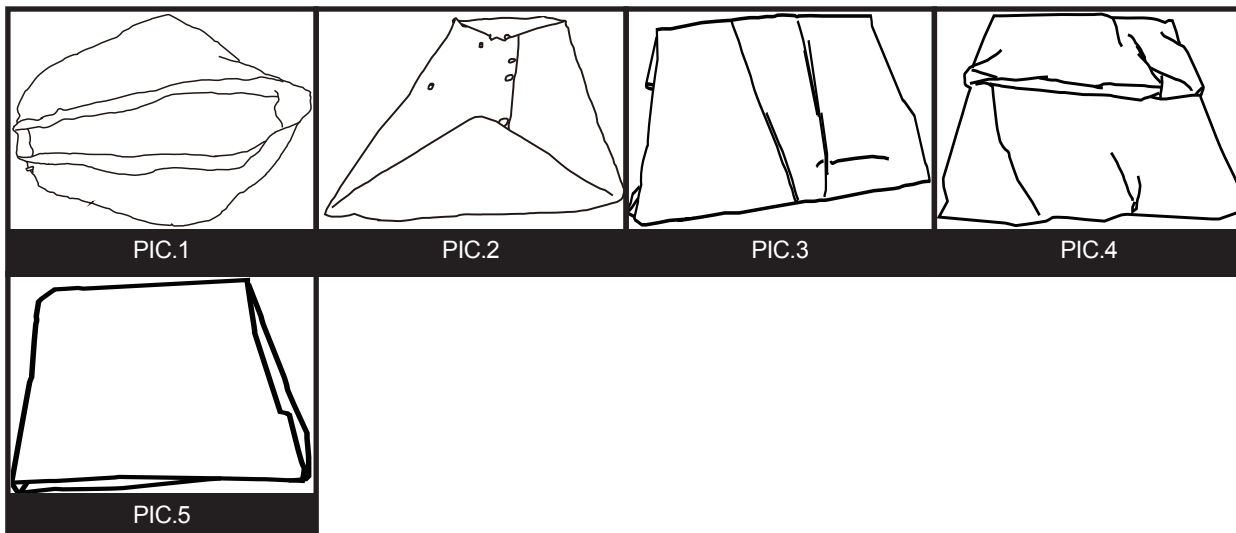
WARNING: Pool should be stored at places where is cool and dry, with no sharp object surroued, or no heavy objects lying above, which may cause damage to the pool.

- Step1.** If you have a filter pump, make sure that the electricity source to the filter pump has been disconnected.
- Step2.** Check to ensure that the out drain plug is firmly inserted on the inside of the pool.
- Step3.** Attach your garden hose to the drainage valve connector, and placing the other end of the hose in an area where the water can drain safely, such as a storm drain or street gutter. Remember that because water always finds its own level, the end of the hose must be lower in elevation than the pool to ensure complete drainage.
- Step4.** If you have a filter pump, insert the stopper into the inlet and outlet fixtures, on inside of pool, and then disconnect the filter pump hoses.
- Step5.** Attach the drainage valve connector to the drain outlet by turning connector in a clockwise direction.
- Step6.** Open the out drain plug on the inside of the pool and the water will begin to drain immediately.
- Step7.** Disconnect the hose and drainage valve connector when finished.
- Step8.** Replace the out drain plug on the inside of the pool.
- Step9.** Be sure that the pool liner is completely dry before folding the pool for long-term storage. Leaving the pool exposed to sunlight for a few hours will clean and speed the drying process and make it easier to fold the pool for storage. (Never attempt to fold or stow a pool that is not completely dry as this could lead to a proliferation of mold or mildew build-up during the time the pool is in storage.)
- Step10.** Remember, proper off-season storage is critical to protect your investment in your pool. (espeically in winter)Once drained and dry, your pool should be carefully folded and wrapped in a ground cloth (if available) or other similar protective tarp-like material. The pool and all applicable accessories such as the pump, cover, ground cloth, ladder, hoses, clamps, and hardware should be kept together and stored indoors, in a reasonably warm, dry and weatherproof location.

FOLDING INSTRUCTION

Before folding, it's better to dry all parts and pool completely by lying them in the sun for one hour or so.(PIC.1). And then, spread some talcum powder to prevent the vinyl from sticking together.

- Step1.** Please fold the protrusion sides inside to gain rectangle shape.(PIC.2).
- Step2.** Fold each half of the rectangle to gain a smaller rectangle shape.(PIC.3).
- Step3.** Fold each ends backwards. (PIC.4).
- Step4.** Fold the rest ends together to create an ultimate rectangle one.(PIC.5).
- TIPS1.** Please remove air inside to make the folded pool thin and flat during each folding.
- TIPS2.** The original packing can be used for storage.



PART 7-IN-SEASON POOL MAINTENANCE AND WATER CARE

WARNING: If applicable, the filter pump included with your pool is designed to remove dirt and other small particles from your pool water. However, to maintain pool water that is perfectly clear, algae free, and safe from harmful bacteria, it is **VERY IMPORTANT TO ENGAGE IN A CONSISTENT REGIMEN OF CHEMICAL TREATMENT.** Contact your local pool supply retailer for guidance on the safe and effective use of chlorine, shock, algaecide and other such chemicals.

WARNING: To avoid skin and eye irritation or even injury to bathers, never add chemicals to the pool while it is occupied. Never add any chemicals or substances to your pool if you cannot verify the exact quantity or type to add to the water. Consult a pool supply retailer for specific instructions and guidelines concerning the use of chemicals in your pool.

WARNING: It is highly recommended that pool owners frequently test their pool water to ensure that the pH and chlorine concentration in the water is optimal for safe and enjoyable bathing throughout the season. Please consult your pool supply retailer to find a suitable testing kit and instructions on its use.

WARNING: Non-respect of the maintenance rules may result in serious hazards for health and especially for the children.

This product is designed to be storable, seasonal pools. If you live in a temperate area in which the pool will not be in use year-round, it is **STRONGLY RECOMMENDED** that you drain your pool, clean and dry it thoroughly, and store it in a protected area for the off-season. This will help extend the life of your pool and prevent a safety hazard from developing while the pool is not in use. During the season of use of the pool kit, the filtration system (if applicable) must be put into service each day, long enough to ensure at least a complete renewal of the volume of water.

In order to keep your pool water clean and hygienic all season long please closely adheres to the following guidelines:

1. The proper and consistent use of basic pool chemicals are required to maintain the proper pH balance in your pool water. Furthermore, the application of chemicals will help prevent the growth of harmful bacteria or algae in your pool, and assist your filter-pump in keeping your water crystal clear. Chemicals that your pool may require include but are not limited to:

- 1) Tabular, Granular, or Liquid Chlorine: Disinfects pool water and inhibits algae growth.
- 2) PH Adjusting Chemicals: These are used to correct PH level and make water more or less acidic.
- 3) Algaecides: These chemicals are formulated to remove algae.
- 4) "Shock" (Super chlorinator): Eliminates certain organic and other combination compounds that can affect water clarity.

In order to obtain specific details on the use of chemicals, please consult a local pool supply retailer and provide them with the volume of water in your specific pool, and if desired, a sample of your pool water. This will enable them to properly instruct you on: 1) which chemicals to purchase, 2) what quantities of chemicals to purchase, and 3) how to use specific chemicals safely and effectively.

2. Never let chlorine come into direct contact with the pool liner until it has completely dissolved. This means that granular or tabulated chlorine is first dissolved in a bucket of water before applying to pool water, and likewise, liquid chlorine is slowly and evenly poured into pool water from various locations around perimeter of pool.

DANGER: NEVER add water to chemicals. **INSTEAD,** always add chemicals to water. Also, never mix separate chemicals together, rather, add chemicals to the pool separately and allow them to circulate throughout the pool before adding additional types of chemicals.

3. We recommend that you purchase a test kit, and frequently test your pool water to make sure that your PH balance and chlorine levels are optimal. Your local pool supply retailer can provide information on purchasing and using a test kit that is most suitable for your needs. **NOTE:** Excessive chlorine levels or low (acidic) pH levels can damage your pool liner, so please take corrective action as soon as possible if testing reveals either condition.

The tasks of removing larger debris from your pool and keeping the inside of the pool liner clean are simplified by using a Prompt Set Pool Maintenance Kit, which includes a leaf skimmer and garden hose powered vacuum. Maintenance Kits are included as a bonus feature in larger pool systems, and can also be purchased separately as an accessory. Please contact

PART7-IN-SEASON POOL MAINTENANCE AND WATER CARE

your local after sale service center if you want to get advice on any repair during the life of the pool kit.

4. If applicable, check your filter-pump cartridge every two weeks (or more frequently during periods of heavy usage) to verify whether it needs to be cleaned or replaced. If your cartridge is no longer white in color, attempt to spray it clean with a strong blast of water from your garden hose. If your cartridge cannot be cleaned in this manner, the cartridge must be replaced. Failure to frequently clean and/or replace your cartridges will affect the effectiveness of your filter pump and could shorten its useful life.

5. If your pool system included a cover, try to keep your pool covered at all times when not in use. This will help keep the wind and other elements from depositing dirt and debris in your pool, and will also prevent excess rainwater from overfilling your pool.

6. Remind your family and friends to always hose or rinse off any dirt or tanning oil from their hands, feet, and body prior to entering the pool.

7. It's necessary to monitor the bolts and hardware of the pool (eg. rust stain) when possible.

8. Once your pool has been filled with water for the season, take note if your pool becomes overfilled due to rainwater or accidental overflow. If this should occur, it is important to drain or bale out the excess water as soon as possible. If it is an inflatable ring pool, the water level should never be higher than the bottom edge of the inflatable ring.

9. Irrespective of materials used for swimming pool construction, accessible surfaces have to be checked regularly to avoid injuries.

PART8-TROUBLE SHOOTING

Repair Patch Instructions

(Small pinhole and small puncture leaks can be repaired with the included repair patch)

- a) Locate the leak place.
- b) Deflate the air.
- c) Clean the area surrounding the leakage and wipe up all water from the surface.
- d) Take out the repair patch, cut it into required shape and size, which should be larger than the leaking area, put the patch on leaking area and press tightly.
- e) Wait 30 minutes for open-air drying of the repaired position.

If the damage is too big, we recommend using a Silicone or rubber based glue for repair.

Repair Glue Instructions

- 1 Locate the leak place.
- 2 Deflate (if necessary) ,and drain thoroughly
- 3 Clean the area surrounding the leakage and wipe up all water from the surface.
- 4 Thoroughly clean the area surrounding the leak .Cut a piece of repair material in round shape, which should be larger than the damaged area.
- 5 Gluing (need to purchase adhesive separately) one side of the material patch to the repair area. Please notice the material patch need to be applied glue evenly.
- 6 Put the patch on the damaged area and press tightly. Wait 12 hours for drying. After patch has dried, apply glue around the edges for a complete seal (dry 4 hours) swimming pool storage.

PART8-TROUBLE SHOOTING

PROBLEM	DESCRIPTION	CAUSE	REMEDY
FILLED POOL IS NOT ROUND	<ul style="list-style-type: none"> Pool has taken on an oval, rectangular or "egg-like" shape. Pool appears to slope to one side or pool water depth is uneven. 	<ul style="list-style-type: none"> Wrinkles in bottom of liner were not adequately smoothed out prior to filling. Side walls were not properly "pushed out" as pool was filled, causing circumference of top ring to be outside that of the pool's side walls. Pool is resting on bumpy or sloping ground. 	<ul style="list-style-type: none"> Drain pool to a 1" water depth and then smooth out as many wrinkles as possible. Drain pool to a 1" water depth and then push out side walls until they are outside of the circumference of the top ring. Make sure ground underneath pool is very flat, level and free of any mounds of soil.
COLORED WATER	<ul style="list-style-type: none"> Water turns blue, brown, or black when first treated with chlorine. 	<ul style="list-style-type: none"> The chlorine is oxidizing minerals in your water. This commonly occurs with water from different sources. 	<ul style="list-style-type: none"> Adjust pH to recommended level. Run filter until water is clear. Regularly clean cartridge.
PARTICALS SUSPENDED IN WATER	<ul style="list-style-type: none"> Water looks "milky" or cloudy. 	<ul style="list-style-type: none"> "Hard Water" caused by an elevated pH. Chlorination is inadequate. Foreign debris in water. Bathers are not cleaning their feet prior to entering pool. 	<ul style="list-style-type: none"> Adjust pH. Check with a swimming pool supply retailer for correct water treatment. Ensure proper chlorine level. Clean or replace your filter. Spray off dirt with a high-pressure hose before entry.
PERSISTENT LOW WATER LEVEL	<ul style="list-style-type: none"> Pool appears to be losing water on a daily basis. 	<ul style="list-style-type: none"> Tear or hole in pool liner. Tear or hole in a filter pump hose. Hose clamps are too loose. Evaporation from high summer temperatures. 	<ul style="list-style-type: none"> Locate damage and repair with the included patch kit. Repair or replace hoses. Tighten all hose clamps. Keep pool covered when not in use.
ALGAE	<ul style="list-style-type: none"> Water has greenish tint. Green, brown or black spots appear on pool liner. Pool bottom is slippery and/or an unpleasant odor is present. 	<ul style="list-style-type: none"> Algae is present. 	<ul style="list-style-type: none"> Apply "shock" treatment (super-chlorinator). Check pH and adjust to an appropriate level per your local pool supply retailer. Vacuum or lightly scrub pool liner. Test water often to maintain proper chlorine levels.
POOL WATER IS COOL	<ul style="list-style-type: none"> Water is not warming to a comfortable swimming temperature. 	<ul style="list-style-type: none"> Pool was set up in an excessively shady or tree lined area. Heat is escaping from pool water. 	<ul style="list-style-type: none"> Relocate pool to a more open location where it can get maximum exposure to sunlight during peak daylight hours. Keep your pool covered whenever it is not in use.

PART9-LIMITED WARRANTY

If any of the components have been consumer-replaced, damaged, or misused, the corresponding warranty on those components is invalidated. In this situation, you will be advised of the cost of replacement parts and processing instructions.

If a verifiable manufacturing defect is found during the relevant time period, we agree to repair or replace at its option any product under warranty provided proper proof of purchase is presented.

This limited warranty is not valid if the product is used for commercial purposes, or if the damage is caused by an accident, an act of God, consumer misuse, neglect or abuse, vandalism, improper use of chemicals, exposure to extreme weather conditions or negligence during product set up or disassembly.

We cannot be held responsible for the cost of installation, labor, or transportation expenses incurred due to the replacement of defective parts. This limited warranty, furthermore, does not cover any unauthorized alterations to the product.



RÈGLES IMPORTANTES DE SÉCURITÉ

LISEZ, COMPRENEZ ET SUIVEZ ATTENTIVEMENT TOUTES LES INSTRUCTIONS AVANT D'INSTALLER ET D'UTILISER CE PRODUIT !

Piscine ronde à cadre en acier

MODE D'EMPLOI POUR LES TAILLES SUIVANTES :

- Φ10' x 30"(Φ3m x 76cm)
- Φ12' x 30"(Φ3.6m x 76cm)
- Φ14' x 33"(Φ4.2m x 84cm)



Dessin à but d'illustration uniquement. Le produit réel peut varier. N'est pas à l'échelle.

Des informations détaillées sur le modèle et les dimensions du produit se trouvent à la fin de ce manuel !

ARRÊTEZ !

NE RETOURNEZ PAS LE PRODUIT AU MAGASIN

SHANGHAI JILONG SPORT AND LEISURE PRODUCTS CO., LTD
2555 XiuPu Road, Pudong Area, Shanghai, China.
www.avenli.com

JIANGSU JILONG SPORT AND LEISURE PRODUCTS CO., LTD
NO.1 Industrial Area South Zhongchen Road Zhongyang Town, Suqian, Jiangsu, China



À LIRE ATTENTIVEMENT ET À CONSERVER POUR CONSULTATION ULTÉRIEURE!

SOMMAIRE

CONSIGNES DE SÉCURITÉ-----	02
RÉFÉRENCE DES PIÈCES-----	04
SÉLECTION DU SITE-----	08
INSTALLER LA PISCINE-----	09
REEMPLIR LA PISCINE D'EAU-----	10
AMÉNAGEMENT POUR L'HIVER ET STOCKAGE DE LONGUE DURÉE-----	11
MAINTENANCE DE LA PISCINE ET SOIN DE L'EAU EN SAISON-----	12
DÉPANNAGE-----	13
GARANTIELIMITÉE-----	14

PARTIE 1-CONSIGNES DE SÉCURITÉ

Avant d'installer et d'utiliser, la piscine, veuillez lire attentivement, assimiler et respecter toutes les informations contenues dans cette notice d'utilisation. Ces avertissements, instructions et consignes de sécurité portent sur certains des risques usuels associés aux loisirs aquatiques, mais ils ne peuvent pas couvrir la totalité des risques et dangers dans tous les cas. Faites toujours preuve de prudence, de discernement et de bon sens lors des activités aquatiques. Conservez ces informations afin de pouvoir vous y référer ultérieurement.

Sécurité des non-nageurs

1) Une surveillance attentive, active et continue par un adulte compétent des enfants qui ne savent pas bien nager et des non-nageurs est requise en permanence (en gardant à l'esprit que le risque de noyade est le plus élevé pour les enfants de moins de cinq ans).

2) Désignez un adulte compétent pour surveiller le bassin à chaque fois qu'il est utilisé.



3) Il convient que les enfants qui ne savent pas bien nager ou les non-nageurs portent des équipements de protection individuelle lorsqu'ils utilisent la piscine.

4) Lorsque le bassin n'est pas utilisé ou est sans surveillance, retirez tous les jouets de la piscine et ses abords afin de ne pas attirer les enfants vers le bassin.

Dispositifs de sécurité

1) Il est recommandé d'installer une barrière (et de sécuriser toutes les portes et fenêtres, le cas échéant) afin d'empêcher tout accès non autorisé à la piscine.

2) Les barrières, couvertures, alarmes de piscines ou dispositifs de sécurité similaires sont des aides utiles, mais ils ne remplacent pas la surveillance continue par un adulte compétent.

Équipements de sécurité

1) Il est recommandé de garder du matériel de sauvetage (une bouée, par exemple) près du bassin ;

PARTIE 1-CONSIGNES DE SÉCURITÉ

2) Gardez un téléphone en parfait état de marche et une liste de numéros d'urgence à proximité du bassin.

Sécurité d'emploi de la piscine

- 1) Incitez tous les utilisateurs, en particulier les enfants, à apprendre à nager ;
- 2) Apprenez les gestes qui sauvent (réanimation cardiopulmonaire) et remettez régulièrement à jour vos connaissances. Ces gestes peuvent sauver une vie en cas d'urgence ;
- 3) Expliquez aux utilisateurs de la piscine, enfants inclus, la procédure à suivre en cas d'urgence ;
- 4) Ne plongez jamais dans un plan d'eau peu profond, sous peine de blessures graves ou mortelles ;
- 5) N'utilisez pas la piscine sous l'emprise d'alcool ou de médicaments susceptibles de réduire votre capacité à utiliser la piscine en toute sécurité ;
- 6) Si la piscine est recouverte d'une couverture, retirez-la entièrement de la surface de l'eau avant d'entrer dans le bassin ;
- 7) Traitez l'eau de votre piscine et instaurez de bonnes pratiques d'hygiène afin de protéger les utilisateurs des maladies liées à l'eau. Consultez les consignes de traitement de l'eau données dans la notice d'utilisation ;
- 8) Stockez les produits chimiques (produits de traitement de l'eau, de nettoyage ou de désinfection, par exemple) hors de portée des enfants .
- 9) Utilisez les pictogrammes décrits ci-dessous. (pas nécessaire pour piscine hors sol en kit puisque les pictogrammes sont déjà placés sur la piscine dans une position visible) ;
- 10) Placez les échelles amovibles sur une surface horizontale.
- 11) Avertissement : une piscine vide à l'extérieur peut causer des dangers inconnus.

ATTENTION :Le montage doit être effectué par un/des adulte(s)

ATTENTION : L'utilisation du kit piscine implique le respect des consignes de sécurité décrites dans la notice d'entretien et d'utilisation. Le non-respect des consignes d'entretien et d'utilisation peut engendrer des risques graves pour la santé, notamment celle des enfants.

ATTENTION : Uniquement pour usage domestique en extérieur.

ATTENTION :Risque de Noyade.Les enfants peuvent se noyer dans une très faible quantité d'eau.

ATTENTION :Videz la piscine quand elle n'est pas utilisée. Ne pas laisser une piscinette à l'extérieur, vide.



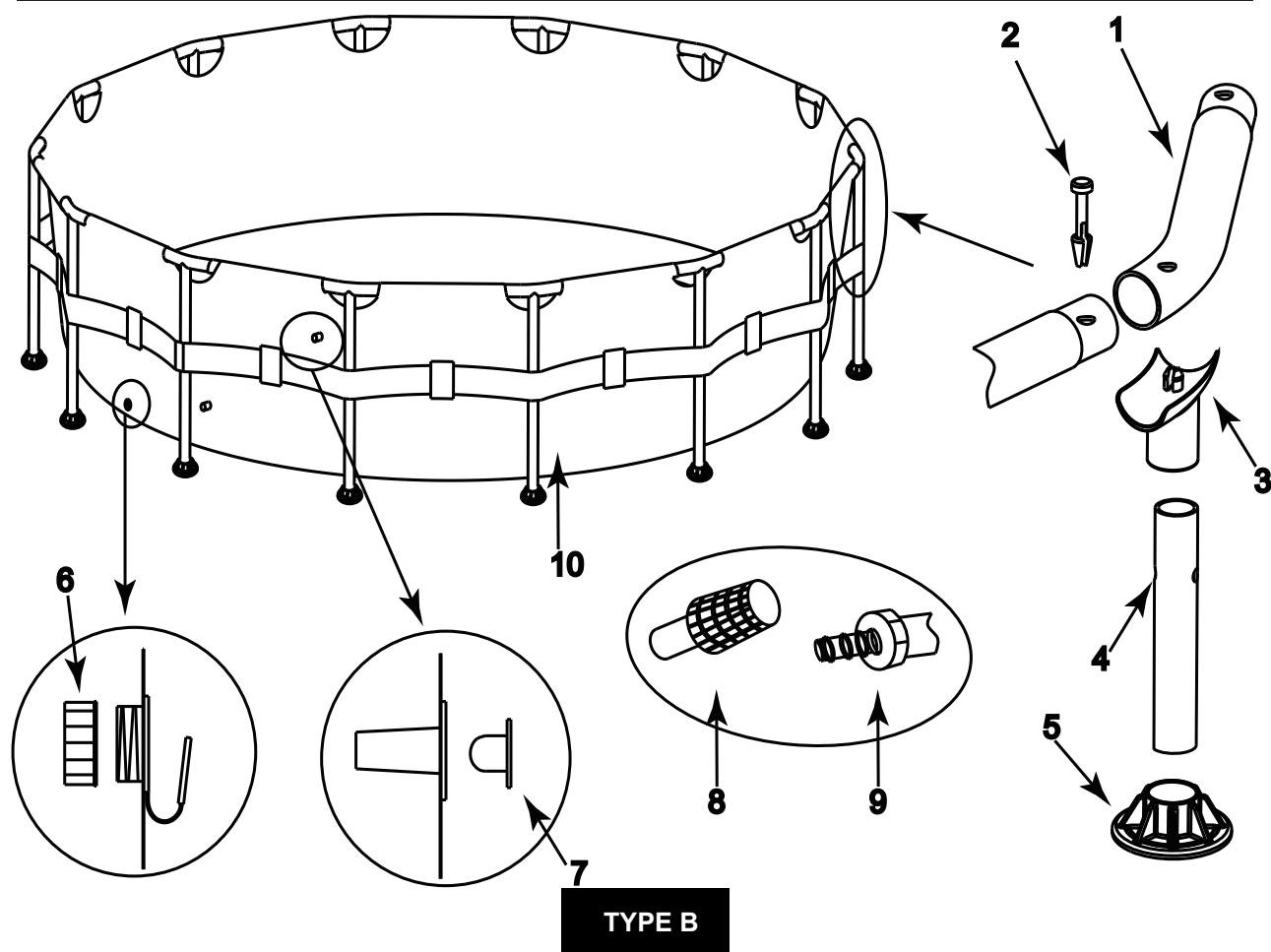
ATTENTION : Garder les enfants sous surveillance dans l'environnement aquatique.



ATTENTION : Ne pas plonger.

Cette affiche de sécurité doit être placée bien en évidence à moins de 2 m de la piscine. À défaut, vous pouvez acheter une colle à base de vinyle (non fournie) afin de coller l'affiche sur le mur de la piscine, à côté des points d'entrée et de sortie, en veillant à ce qu'elle soit bien visible pour tous les utilisateurs qui s'approchent de la piscine.

PARTIE 2-RÉFÉRENCE DES PIÈCES



Avant de monter votre piscine, disposez et passez en revue le contenu pour vous familiariser avec toutes les pièces que vous utiliserez pendant le montage :

REMARQUE : Dessin à but d'illustration uniquement. Le produit réel peut varier. N'est pas à l'échelle.

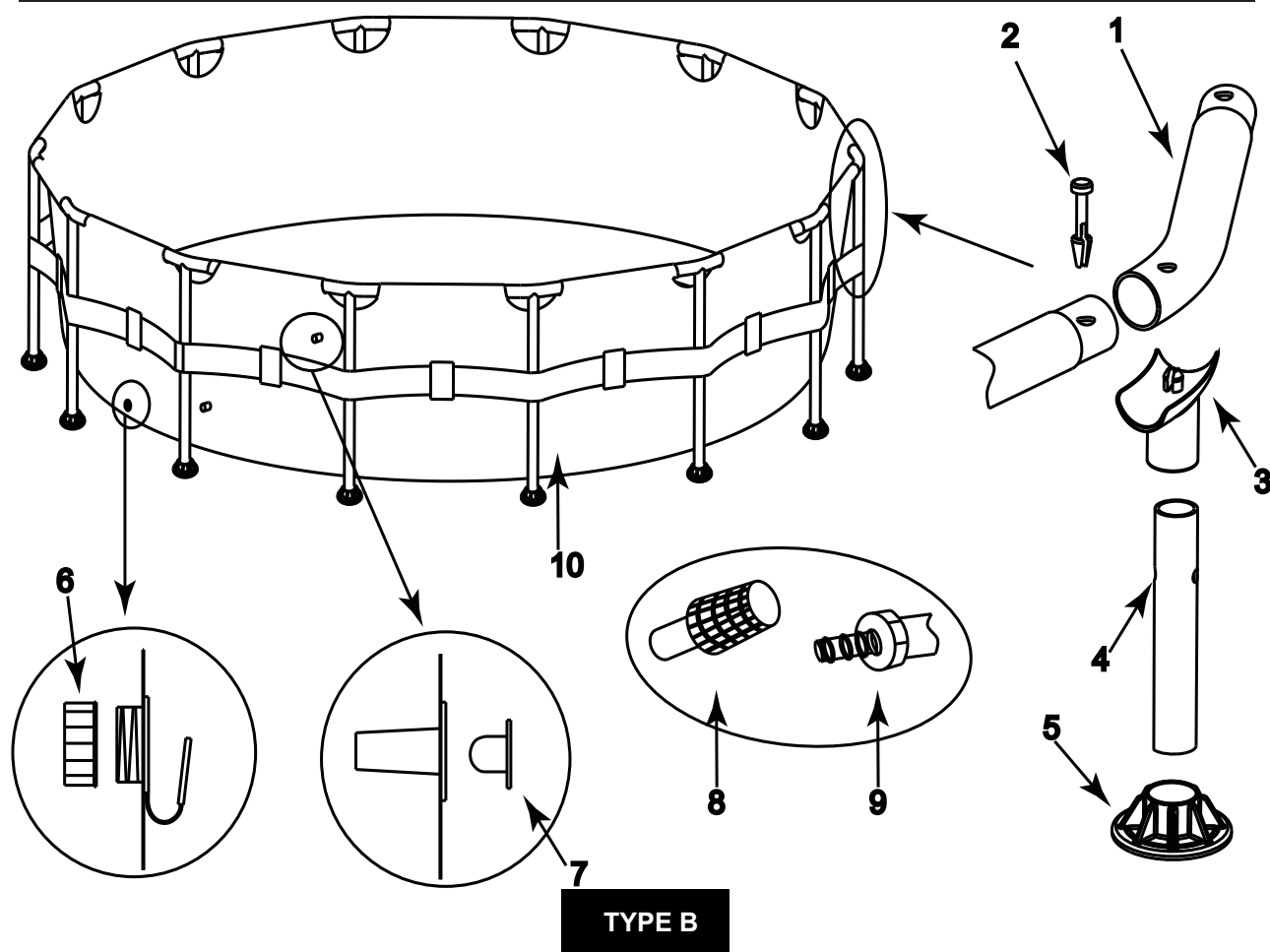
Modèle	Taille	Capacité en eau	Pompe	Échelle
17798XX	Φ10' x 30''(Φ3m x 76cm)	1158Gal(4383L)	√	x
17798	Φ10' x 30''(Φ3m x 76cm)	1158Gal(4383L)	x	x

XX : DE/EU/GB/FR/IL/CH/BR

PARTIE 2-RÉFÉRENCE DES PIÈCES

Φ10'x30" (Φ3m x 76cm)			
NO.	NOM	QUANTITÉ	NUMÉRO DE SÉRIE
1	Poutre horizontale	8	290187
2	Broche PVC	8	290181
3	Raccord en T	8	290317
4	Pied vertical	8	290188
5	Capuchon pied vertical	8	290185
6	Capuchon de valve de purge	1	290366
7	Butée	2	290311
8	Crépine de l'orifice	/	290312
9	Connecteur de valve de purge	1	290364
10	Liner de la piscine	1	393248
	Couleur	BLEU	

PARTIE 2-RÉFÉRENCE DES PIÈCES



TYPE B

Avant de monter votre piscine, disposez et passez en revue le contenu pour vous familiariser avec toutes les pièces que vous utiliserez pendant le montage :

REMARQUE : Dessin à but d'illustration uniquement. Le produit réel peut varier. N'est pas à l'échelle.

Modèle	Taille	Capacité en eau	Pompe	Échelle
17799XX	Φ12' x 30''(Φ3.6m x 76cm)	1617Gal(6125L)	√	x
17799	Φ12' x 30''(Φ3.6m x 76cm)	1617Gal(6125L)	x	x
17800XX	Φ14' x 33''(Φ4.2m x 84cm)	2508Gal(9495L)	√	x
17800	Φ14' x 33''(Φ4.2m x 84cm)	2508Gal(9495L)	x	x

XX : DE/EU/GB/FR/IL/CH/BR

PARTIE 2-RÉFÉRENCE DES PIÈCES

NO.	Φ12'x30" (Φ3.6m x 76cm)			Φ14'x33" (Φ4.2m x 84cm)	
	NOM	QUANTITÉ	NUMÉRO DE SÉRIE	QUANTITÉ	NUMÉRO DE SÉRIE
1	Poutre horizontale	10	290197	12	393131
2	Broche PVC	10	290181	12	290181
3	Raccord en T	10	290318	12	290183
4	Pied vertical	10	290188	12	393132
5	Capuchon pied vertical	10	290185	12	290185
6	Capuchon de valve de purge	1	290366	1	290366
7	Butée	2	290311	2	290311
8	Crépine de l'orifice	/	290312	/	290312
9	Connecteur de valve de purge	1	290364	1	290364
10	Liner de la piscine	1	393249	1	393250
	Couleur	BLEU		BLEU	

PARTIE 3-SÉLECTION DU SITE

AVERTISSEMENT : Les piscines installées sur des surfaces insuffisamment de niveau sont soumises à des fuites, à la formation d'irrégularités, ou à l'effondrement, ce qui peut entraîner des dommages matériels ou des blessures graves pour les personnes à l'intérieur ou autour de la piscine !

AVERTISSEMENT : N'utilisez pas de sable pendant le processus d'installation. S'il apparaît qu'il y a besoin d'utiliser un « agent de nivellement », votre site d'installation est probablement inadapté. **NE PAS RESPECTER CET AVERTISSEMENT PEUT CAUSER DE GRAVES BLESSURES.**

ATTENTION : Veuillez choisir soigneusement votre zone d'installation car la pelouse et la végétation souhaitée sous la toile de sol (le cas échéant) mourra. De plus, essayez d'éviter d'installer la toile de sol (le cas échéant) dans des zones sujettes à des espèces de plantes et de mauvaises herbes agressives, car elles peuvent pousser à travers la toile de sol (le cas échéant).

ATTENTION : La piscine doit être accessible à une prise CA 110 ou 230 V protégée par un disjoncteur différentiel de fuite à la terre (DDFT). La piscine ne doit pas être installée à moins de 2 mètres de la source d'alimentation, mais pas au-delà de la longueur du cordon de la pompe filtrante. En aucun cas une rallonge électrique ne doit être utilisée pour étendre la portée du raccordement.

Il est absolument essentiel de sélectionner un site adapté pour votre piscine AVANT d'essayer de la remplir avec de l'eau. Veuillez sélectionner un site d'installation qui respecte strictement les directives suivantes :

Guide1. Assurez-vous que la zone est ferme, plane (aucune bosse ou butte de terre) et extrêmement horizontale, avec une déclivité ne dépassant pas 3° de pente en tout point de la zone d'installation.

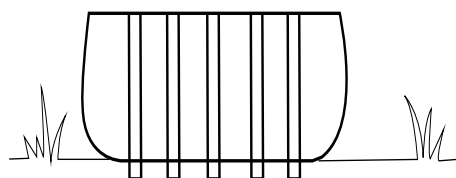
Guide2. Assurez-vous que la surface que vous avez choisie pour mettre en place la piscine est complètement exempte de bâtons, de pierres, d'objets tranchants ou d'autres débris étrangers.

Guide3. Sélectionnez une zone qui n'est pas directement sous les lignes électriques aériennes ou les arbres. De plus, assurez-vous que la zone d'installation de la piscine ne contient pas de canalisations, de lignes ou de câbles souterrains d'aucune sorte.

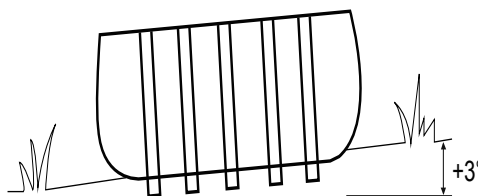
Guide4. Si une toile de sol est fournie avec votre ensemble de piscine, son utilisation est hautement recommandée. La toile de sol permet de protéger le liner de la piscine des dommages dus aux mauvaises herbes, aux objets pointus et aux débris.

Guide5. Si possible, choisissez un emplacement ouvert de votre propriété qui est exposé à la lumière directe du soleil. Ceci vous permettra de chauffer votre piscine.

Sol plat, horizontal CORRECT



Sol bosselé, en pente-INCORRECT



PARTIE 4-INSTALLER LA PISCINE

IMPORTANT : Ne commencez pas le montage si des pièces sont manquantes. Pour des pièces de rechange, appelez le numéro de téléphone du Service client dans votre région.

Le nombre de personnes nécessaire pour le montage: Au moins 2 personne.

Le temps indicatif de réalisation globale hors préparation du terrain et hors mise en eau :

30 minutes pour taille $\Phi 10' \times 30''/\Phi 12' \times 30''$

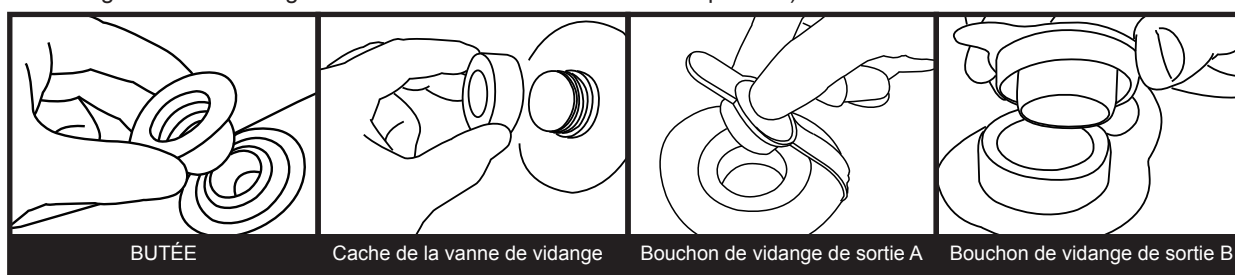
45 minutes pour taille $\Phi 14' \times 33''$

Étape1. PRISE EN COMPTE DE TOUTES LES PIÈCES.

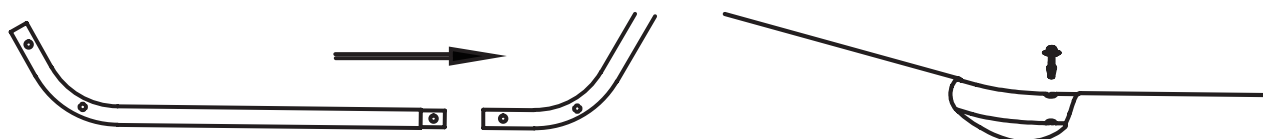
Retirez toutes les pièces du/des carton(s) et placez-les au sol, à l'emplacement où elles doivent être assemblées. Vérifiez chaque pièce selon la « RÉFÉRENCE DES PIÈCES ». Assurez-vous que toutes les pièces à assembler sont prises en compte.

Étape2. INSTALLEZ LE CACHE ET LE BOUCHON DES SOUPAPES DE VIDANGE

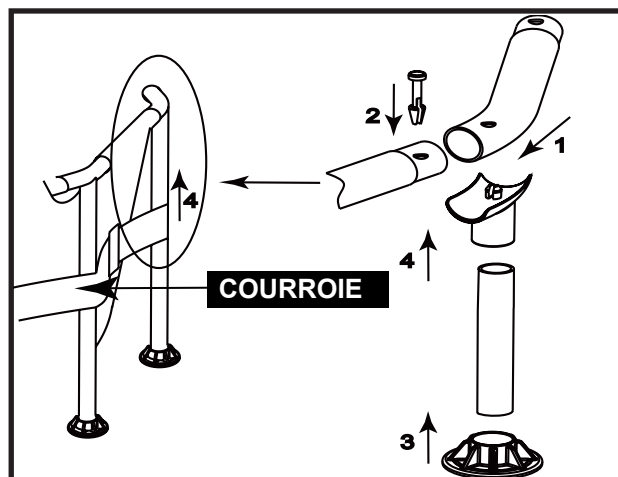
Assurez-vous que le bouchon de vidange extérieur est inséré dans le capuchon de vidange extérieur et que le cache de la soupape de vidange est vissé fermement. Insérez les trous de raccordement avec les bouchons. (Le bouchon de vidange de sortie change en fonction des différentes tailles de piscine.)



Étape3. INSTALLEZ LA POUTRE HORIZONTALE



Étape4. INSTALLEZ LE RACCORD EN T (POUR TYPE B)



1. Utilisez l'extrémité de connexion du raccord en T pour connecter les tubes horizontaux adjacents.
2. Insérez fermement la broche dans le trou du tube horizontal connecté et du raccord en T.
3. Installez le capuchon du pied vertical sur le pied vertical.
4. Insérez le pied vertical dans le raccord en T à travers la courroie.

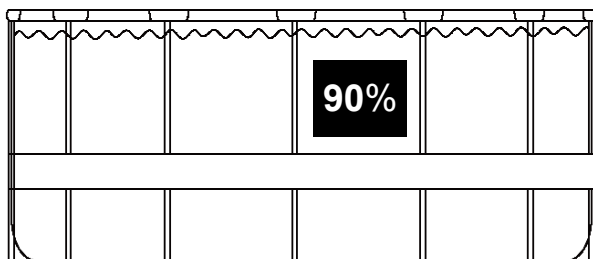
CONSEIL : Si vous ne trouvez pas le trou sur le tube horizontal ou le pied vertical, veuillez tourner les tubes jusqu'à ce que la broche rejoigne le trou.

PARTIE 5-REEMPLIR LA PISCINE D'EAU

AVERTISSEMENT : Ne laissez pas la piscine sans surveillance lors de son remplissage d'eau.

AVERTISSEMENT : Si plus d'1 à 2 pouces d'eau s'accumule sur un côté avant que vous ne commenciez à remplir au centre. La piscine n'est pas assez horizontale, ce qui doit être corrigé ! Vous devez retirer le bouchon de vidange, vider complètement l'eau, démonter complètement la piscine, localiser la piscine sur une surface plane et répéter les instructions d'installation.

AVERTISSEMENT : NE REMPLISSEZ PAS TROP car cela pourrait entraîner l'effondrement de la piscine. En cas de pluie importante, vous devrez peut-être vider de l'eau pour vous assurer que le niveau est correct.



1. Assurez-vous que le raccord de vidange est solidement inséré et que le capuchon est en place. Commencez à remplir la piscine d'eau. Dès qu'environ 1 pouce d'eau est sur le fond, arrêtez de remplir et lissez les plis sur le fond de la piscine. Retirez la paroi extérieure du bord supérieur, sur tout le fond de la piscine, afin qu'il se remplisse de manière homogène.

2. Continuez à remplir la piscine jusqu'à ce que la de niveau d'eau.

PARTIE 6-AMÉNAGEMENT POUR L'HIVER ET STOCKAGE DE LONGUE DURÉE

AVERTISSEMENT : Ne laissez pas vos enfants se tenir sur le pli du bas et face à la sortie de l'eau pendant la vidange. Le courant de l'eau peut emporter vos enfants.

AVERTISSEMENT : La piscine doit être stockée dans un endroit frais et sec, sans objet pointu autour ni objets lourds situés au-dessus, ce qui peut endommager la piscine.

Étape1. Si vous avez une pompe filtrante, assurez-vous que la source électrique de la pompe filtrante a été débranchée.

Étape2. Vérifiez que le bouchon de vidange est inséré fermement à l'intérieur de la piscine.

Étape3. Attachez votre tuyau d'arrosage au connecteur de la soupape de vidange et placez l'autre extrémité du tuyau dans une zone où l'eau peut s'écouler en toute sécurité, telle qu'un collecteur d'eaux pluviales ou un caniveau. N'oubliez pas que vu que l'eau trouve toujours son propre niveau, l'extrémité du tuyau doit être moins élevée que la piscine pour assurer une vidange complète.

Étape4. Si vous avez une pompe filtrante, insérez le bouchon dans les dispositifs d'entrée et de sortie, à l'intérieur de la piscine, puis débranchez les tuyaux de la pompe filtrante.

Étape5. Fixez le connecteur de la soupape de vidange à la sortie de vidange en tournant le connecteur dans le sens des aiguilles d'une montre.

Étape6. Ouvrez le bouchon de vidange à l'intérieur de la piscine et l'eau commence à s'évacuer immédiatement.

Étape7. Débranchez le tuyau et le connecteur de la soupape de vidange dès que terminé.

Étape8. Remettez le bouchon de vidange à l'intérieur de la piscine.

Étape9. Assurez-vous que le liner de la piscine a complètement séché avant de plier la piscine pour un stockage à long terme. Laisser la piscine exposée à la lumière du soleil pendant quelques heures nettoie et accélère le processus de séchage et facilite le pliage de la piscine pour son stockage. (N'essayez jamais de plier ou de ranger une piscine qui n'est pas complètement sèche car cela pourrait entraîner une prolifération de moisissure pendant que la piscine est stockée).

Étape10. N'oubliez pas qu'un stockage correct hors saison est crucial pour protéger votre investissement dans votre piscine (en particulier en hiver). Une fois vidée et sèche, votre piscine doit être soigneusement pliée et enveloppée dans un tapis de sol (le cas échéant) ou un autre élément de protection similaire de type bâche. La piscine et tous les accessoires applicables tels que la pompe, le couvercle, le tapis de sol, l'échelle, les tuyaux, les brides de fixation et la quincaillerie doivent être conservés ensemble et stockés à l'intérieur, dans un emplacement raisonnablement chaud, sec et résistant à l'eau.

INSTRUCTIONS DE PLIAGE

Avant le pliage, il est préférable de sécher complètement toutes les pièces et la piscine en les laissant au soleil pendant environ 1 heure (IMG.1). Puis appliquez du talc pour empêcher le vinyle de rester collé.

Étape1. Veuillez plier les bords de la protrusion à l'intérieur pour obtenir une forme rectangulaire. (IMG.2).

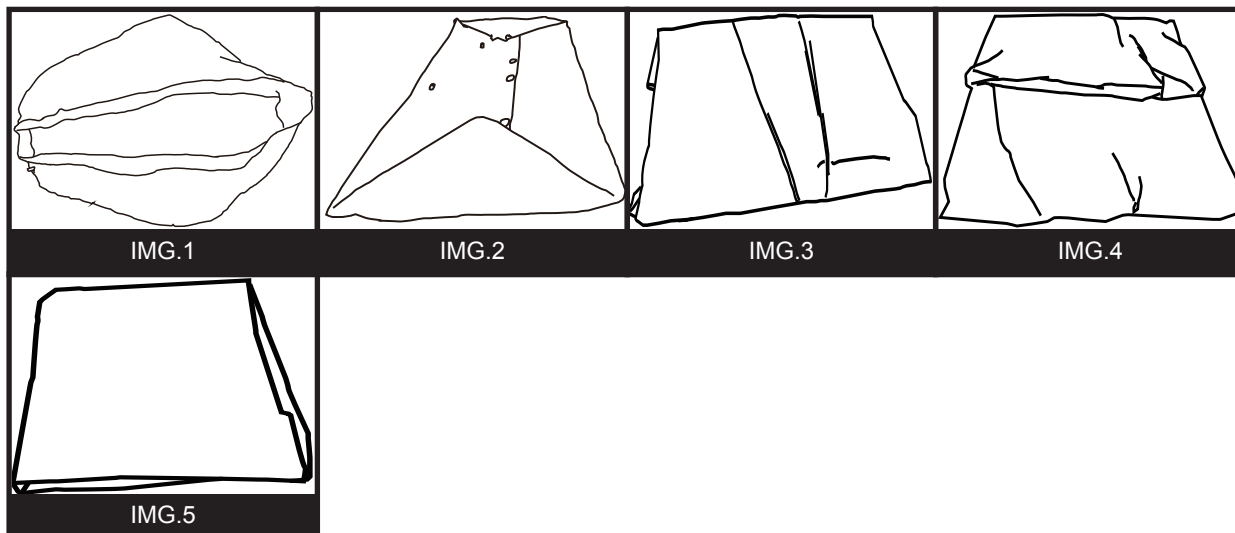
Étape2. Pliez chaque moitié du rectangle pour obtenir une forme rectangulaire plus petite. (IMG.3).

Étape3. Pliez chaque extrémité vers l'arrière. (IMG.4)

Étape4. Pliez ensemble les extrémités restantes pour créer un dernier rectangle. (IMG.5).

CONSEIL1. Veuillez retirer l'air à l'intérieur pour rendre la piscine pliée fine et plate lors de chaque pliage.

CONSEIL2. L'emballage d'origine peut être utilisé pour le stockage.



PARTIE 7-MAINTENANCE DE LA PISCINE EN SAISON ET SOIN DE L'EAU

AVERTISSEMENT : Le cas échéant, la pompe filtrante incluse avec votre piscine est conçue pour retirer les saletés et les autres petites particules de l'eau de votre piscine. Cependant, pour maintenir l'eau de la piscine parfaitement claire, exempte d'algues et sans bactérie nocive, il est TRÈS IMPORTANT DE MENER UN RÉGIME CONSTANT DE TRAITEMENT CHIMIQUE. Contactez votre détaillant local de fournitures de piscines pour des conseils sur l'utilisation sûre et efficace du chlore, du choc, de l'algicide et d'autres produits chimiques.

AVERTISSEMENT : Pour éviter une irritation de la peau et des yeux, voire des blessures aux baigneurs, n'ajoutez jamais de produits chimiques dans la piscine pendant qu'elle est occupée. N'ajoutez jamais de produits chimiques ou de substances dans votre piscine si vous ne pouvez pas vérifier la quantité exacte ou le type à ajouter dans l'eau. Consultez un détaillant en fournitures de piscines pour des instructions et des directives spécifiques concernant l'utilisation de produits chimiques dans votre piscine.

AVERTISSEMENT : Il est vivement recommandé que les propriétaires de piscine testent fréquemment l'eau de leur piscine pour s'assurer que le pH et la concentration en chlore de l'eau sont optimaux pour une baignade sûre et agréable pendant toute la saison. Veuillez consulter votre détaillant en fournitures de piscines pour obtenir un kit d'essai adapté et des instructions sur son utilisation.

AVERTISSEMENT : Le non-respect des consignes d'entretien peut engendrer des risques graves pour la santé, notamment celle des enfants.

Ce produit est conçu pour être une piscine saisonnière stockable. Si vous habitez dans une zone tempérée où la piscine ne sera pas utilisée toute l'année, il est FORTEMENT RECOMMANDÉ de vider votre piscine, de la nettoyer et de la sécher minutieusement et de le stocker dans un endroit protégé hors saison. Cela permettra de prolonger la durée de vie de votre piscine et d'éviter qu'un danger ne se développe alors que la piscine n'est pas en cours d'utilisation. Pendant la saison d'utilisation du kit de piscine, le système de filtration (le cas échéant) doit être mis en service tous les jours, suffisamment longtemps pour garantir au moins un renouvellement complet du volume d'eau.

Afin de conserver l'eau de votre piscine propre et hygiénique pendant toute la saison, veuillez respecter étroitement les directives suivantes :

1. L'utilisation appropriée et suivie de produits chimiques de base pour piscines est nécessaire pour maintenir l'équilibre de pH approprié dans l'eau de votre piscine. De plus, l'application de produits chimiques permet d'empêcher le développement de bactéries nocives ou d'algues dans votre piscine et aide votre pompe filtrante à conserver votre eau cristalline. Les produits chimiques pouvant être nécessaires pour votre piscine comprennent mais ne sont pas limités à :

- 1) Chlore en tablettes, en granulés ou liquide : Désinfecte l'eau de la piscine et neutralise le développement des algues.
- 2) Produits chimiques d'ajustement du pH : Ils sont utilisés pour corriger le niveau du pH et rendre l'eau plus ou moins acide.
- 3) Algicides : Ces produits chimiques sont formulés pour retirer les algues.
- 4) « Choc » (Super chlorinateur) : Élimine certains composants organiques et d'autres combinaisons pouvant affecter la clarté de l'eau.

Afin d'obtenir des détails spécifiques sur l'utilisation des produits chimiques, veuillez consulter un détaillant local de fournitures de piscines et lui fournir le volume d'eau spécifique de votre piscine et, si souhaité, un échantillon de l'eau de votre piscine. Ceci lui permettra de vous renseigner correctement sur : 1) quels produits chimiques acheter, 2) quelles quantités de produits chimiques acheter et 3) comment utiliser des produits chimiques spécifiques en toute sécurité et efficacement.

2. Ne laissez jamais le chlore entrer en contact direct avec le liner de la piscine jusqu'à ce qu'il se soit complètement dissous. Cela signifie que le chlore en granulés ou en tablettes est d'abord dissous dans un seau d'eau avant de l'appliquer à l'eau de la piscine, de même, le chlore liquide est versé lentement et régulièrement dans l'eau de la piscine depuis de nombreux emplacements autour du périmètre de la piscine.

DANGER : N'ajoutez JAMAIS de l'eau à des produits chimiques. À LA PLACE, ajoutez toujours les produits chimiques à l'eau. De même, ne mélangez jamais des produits chimiques séparés ensemble, ajoutez plutôt les produits chimiques séparément dans la piscine et laissez-les circuler dans toute la piscine avant d'ajouter des types supplémentaires de produits chimiques.

3. Nous vous recommandons d'acheter un kit de test et de tester fréquemment l'eau de votre piscine pour vous assurer que l'équilibre de votre pH et les niveaux de chlore sont optimaux. Votre détaillant local de fournitures de piscines peut fournir des informations sur l'achat et l'utilisation du kit de test le plus adapté à vos besoins. **REMARQUE :** Les niveaux excessifs de chlore ou les niveaux faibles (acides) de pH peuvent endommager le liner de votre piscine, veuillez donc prendre des actions correctives dès que possible si le test indique l'un des deux états.

Les tâches de retrait des débris plus importants de votre piscine et de maintenir l'intérieur du liner de votre piscine propre sont simplifiées par l'utilisation d'un Kit de maintenance de piscine Prompt Set, qui comprend une écumoire à

PARTIE 7-MAINTENANCE DE LA PISCINE EN SAISON ET SOIN DE L'EAU

feuilles et un aspirateur alimenté par le tuyau d'arrosage. Les Kits de maintenance sont inclus en tant qu'élément en supplément dans les systèmes de piscines de plus grandes dimensions, et peuvent également être achetés séparément en tant qu'accessoires. Veuillez contacter votre centre local de service après-vente si vous souhaitez des conseils sur les réparations pendant le cycle de vie du kit de piscine.

4. Le cas échéant, vérifiez la cartouche de votre pompe filtrante toutes les deux semaines (ou plus fréquemment pendant les périodes d'utilisation intensive) pour vérifier si elle doit être nettoyée ou remplacée. Si votre cartouche ne présente plus une couleur blanche, essayez de la nettoyer en la pulvérisant avec un jet d'eau fort à l'aide de votre robinet d'arrosage. Si votre cartouche ne peut pas être nettoyée de cette façon, elle doit être remplacée. Ne pas nettoyer et/ou remplacer fréquemment vos cartouches affecte l'efficacité de votre pompe filtrante et peut réduire sa durée de vie.

5. Si votre système de piscine comprend un couvercle, essayez de conserver votre piscine couverte à tout moment quand elle n'est pas utilisée. Ceci permet d'empêcher le vent et les autres éléments de déposer des saletés et des débris dans votre piscine, et empêche également l'eau de pluie en excès de trop remplir votre piscine.

6. Rappelez à votre famille et à vos amis de toujours arroser au tuyau ou de rincer les saletés ou l'huile solaire de leurs mains, leurs pieds et leur corps avant d'accéder à la piscine.

7. Il est nécessaire de contrôler les boulons et la quincaillerie de la piscine (par ex. tache de rouille) dès que possible.

8. Une fois que votre piscine a été remplie d'eau pour la saison, notez si votre piscine devient trop remplie en raison de l'eau de pluie ou d'un remplissage trop important accidentel. Si cela se produit, il est important de vidanger ou de vider l'excès d'eau dès que possible. S'il s'agit d'une piscine à anneau gonflable, le niveau d'eau ne doit jamais être supérieur au bord inférieur de l'anneau gonflable.

9. Quels que soient les matériaux utilisés pour la construction de la piscine, les surfaces accessibles doivent être régulièrement contrôlées afin d'éviter les blessures.

PARTIE 8-DÉPANNAGE

Instructions de Réparation par Rustine

(les fuites causées par les petits trous d'épingle et petites perforations peuvent être réparés avec la rustine de réparation incluse)

- a) Repérez la zone où se situe la fuite.
- b) Expulsez l'air.
- c) Nettoyez la zone entourant la fuite et essuyez toute l'eau à la surface.
- d) Sortez la rustine de réparation, coupez-la à la taille et forme requise, qui devrait être plus grande que la zone de fuite, placez la rustine sur la zone de fuite et appuyez fermement.
- e) Attendez 30 minutes que la zone réparée sèche à l'air libre.

Si les dommages sont trop importants, nous recommandons d'utiliser de la colle à base de silicone ou de caoutchouc pour la réparation.

Instructions de Réparation avec de la Colle

- 1 Repérer la zone où se situe la fuite.
- 2 Dégonflez (si nécessaire) et videz l'air soigneusement
- 3 Nettoyez la zone entourant la fuite et essuyez toute l'eau à la surface.
- 4 Nettoyez soigneusement la zone entourant la fuite. Coupez un morceau de matériau de réparation en cercle, plus grand que la zone endommagée.
- 5 Collez (vous devez acheter l'adhésif séparément) un côté de la rustine sur la zone à réparer.
- 6 Placez la rustine sur la zone endommagée et appuyez fermement. Attendez 12 heures pour le séchage. Une fois que la rustine est sèche, appliquez de la colle sur les bords pour sceller complètement (séchage en 4 heures) de l'entreposage de la piscine.

PARTIE 8-DÉPANNAGE

PROBLÈME	DESCRIPTION	CAUSE	REMÈDE
LA PISCINE REMPLIE N'EST PAS RONDE	<ul style="list-style-type: none"> La piscine a pris une forme ovale, rectangulaire ou « en œuf ». Il apparaît que la piscine penche d'un côté ou que la profondeur d'eau de la piscine n'est pas homogène. 	<ul style="list-style-type: none"> Les plis au fond du liner n'ont pas été correctement lissés avant le remplissage. Les parois latérales n'ont pas été correctement « repoussées » quand la piscine a été remplie, entraînant une circonférence de l'anneau supérieur à l'extérieur de celle des parois latérales de la piscine. La piscine repose sur un sol bosselé ou en pente. 	<ul style="list-style-type: none"> Videz la piscine jusqu'à une profondeur d'eau d'1" puis lissez autant de plis que possible. Videz la piscine jusqu'à une profondeur d'eau d'1" puis repoussez les parois latérales jusqu'à ce qu'elles soient à l'extérieur de la circonférence de l'anneau supérieur. Assurez-vous que le sol sous la piscine est très plat, horizontal et exempt de buttes de terre.
EAU COLORÉE	<ul style="list-style-type: none"> L'eau devient bleue, marron ou noire lorsqu'elle est traitée pour la première fois avec du chlore. 	<ul style="list-style-type: none"> Le chlore oxyde les éléments minéraux dans votre eau. Ceci se produit couramment avec de l'eau de plusieurs sources. 	<ul style="list-style-type: none"> Ajustez le pH au niveau recommandé. Faites fonctionner le filtre jusqu'à ce que l'eau soit claire. Nettoyez régulièrement la cartouche.
PARTICULES EN SUSPENSION DANS L'EAU	<ul style="list-style-type: none"> L'eau a un aspect « laiteux » or sombre. 	<ul style="list-style-type: none"> « Eau calcaire » en raison d'un pH élevé. La chloration n'est pas adéquate. Débris étrangers dans l'eau. Les baigneurs ne nettoient pas leurs pieds avant d'entrer dans la piscine. 	<ul style="list-style-type: none"> Ajustez le pH. Identifiez avec un détaillant de fournitures de piscines le traitement d'eau correct. Assurez le niveau approprié de chlore. Nettoyez ou remplacez votre filtre. Retirez la saleté en pulvérisant avec un tuyau à haute pression avant d'entrer.
FAIBLE NIVEAU D'EAU PERSISTANT	<ul style="list-style-type: none"> Il apparaît que la piscine perd de l'eau quotidiennement. 	<ul style="list-style-type: none"> Déchirure ou trou dans le liner de la piscine. Déchirure ou trou dans un tuyau de pompe filtrante. Les colliers de serrage du tuyau sont trop desserrés. Évaporation en raison des températures élevées en été. 	<ul style="list-style-type: none"> Localisez le dommage et réparez-le avec le kit de réparation inclus. Réparez ou remplacez les tuyaux. Serrez tous les colliers de serrage des tuyaux. Maintenez la piscine couverte quand elle n'est pas utilisée.
ALGUES	<ul style="list-style-type: none"> L'eau a une teinte verdâtre. Des taches vertes, marron ou noires apparaissent sur le liner de la piscine. Le fond de la piscine est glissant et/ou une odeur désagréable est présente. 	<ul style="list-style-type: none"> Des algues sont présentes. 	<ul style="list-style-type: none"> Appliquez le traitement « choc » (super chlorinateur). Vérifiez le pH et ajustez-le à un niveau approprié selon votre détaillant local de fournitures de piscines. Passez l'aspirateur ou frottez légèrement le liner de la piscine. Testez régulièrement l'eau pour maintenir des niveaux de chlore appropriés.
L'EAU DE LA PISCINE EST FROIDE	<ul style="list-style-type: none"> L'eau ne se réchauffe pas à une température de baignade confortable. 	<ul style="list-style-type: none"> La piscine a été installée dans une zone excessivement ombragée ou bordée d'arbres. La chaleur s'échappe de l'eau de la piscine. 	<ul style="list-style-type: none"> Déplacez la piscine dans un endroit plus ouvert où elle pourra bénéficier d'une exposition maximale à la lumière du soleil pendant les heures de pic de lumière du soleil. Maintenez votre piscine couverte quand elle n'est pas utilisée.

PARTIE 9-GARANTIE LIMITÉE

Si certains des composants ont été remplacés, endommagés ou mal utilisés par le consommateur, la garantie correspondant à ces composants est invalidée. Dans cette situation, vous êtes tenu informé du coût des pièces de rechange et des frais de traitement.

Si un défaut de fabrication vérifiable est détecté au cours de la période appropriée, nous nous engageons à réparer ou à remplacer, à notre discrétion, tout produit sous garantie pourvu qu'une preuve d'achat adéquate ait été présentée.

Cette garantie limitée n'est pas valide si le produit est utilisé à des fins commerciales, ou si le dommage est causé par un accident, une catastrophe naturelle, une utilisation abusive du consommateur, une négligence ou des mauvais traitements, des actes de vandalisme, une mauvaise utilisation de produits chimiques, une exposition à des conditions météorologiques extrêmes ou une négligence au cours de la mise en place ou du démontage du produit.

Nous ne pouvons pas être tenus responsables des frais d'installation, de main d'œuvre ou de transport, engagés en raison du remplacement des pièces défectueuses. Cette garantie limitée, en outre, ne couvre pas les modifications non autorisées du produit.



WICHTIGE SICHERHEITSREGELN

LESEN, VERSTEHEN UND BEACHTEN SIE SORGFÄLTIG ALLE ANWEISUNGEN,
BEVOR SIE DIESES PRODUKT INSTALLIEREN UND VERWENDEN!

Runder Stahlrahmen-Pool

BEDIENUNGSANLEITUNG FÜR FOLGENDE GRÖSSEN:

- TYP B: -Φ10 Fuß x 30 Zoll (Φ3m x 76 cm)
 -Φ12 Fuß x 30 Zoll (Φ3.6m x 76 cm)
 -Φ14 Fuß x 33 Zoll (Φ4.2m x 84 cm)



Die Zeichnungen dienen nur der Illustration. Das tatsächliche Produkt könnte etwas anders aussehen. Nicht maßstabsgetreu.
 Detaillierte Informationen zur Produktmodell und -größe werden am Ende dieser Anleitung angegeben!

STOPPEN!

BRINGEN SIE DAS PRODUKT NICHT ZUM HÄNDLER ZURÜCK

SHANGHAI JILONG SPORT AND LEISURE PRODUCTS CO., LTD
 2555 XiuPu Road, Pudong Area, Shanghai, China.
www.avenli.com

JIANGSU JILONG SPORT AND LEISURE PRODUCTS CO., LTD
 NO.1 Industrial Area South Zhongchen Road Zhongyang Town, Suqian, Jiangsu, China



SORGFÄLTIG LESEN UND FÜR KÜNFTIGE BEZUGNAHME AUFBEWAHREN!

INHALT

SICHERHEITSANWEISUNGEN-----	02
DIE EINZELTEILE-----	04
AUFSTELLUNGSORT-----	08
EINRICHTEN DES POOLS-----	09
BEFÜLLENDES POOLS MIT WASSER-----	10
ÜBERWINTERUNG UND LANGZEITLAGERUNG-----	11
PFLEGE DES POOLS UND WASSERS WÄHREND DER SAISON-----	12
FEHLERBEHEBUNG-----	13
EINGESCHRÄNKTE GARANTIE-----	14

TEIL 1 – SICHERHEITSANWEISUNGEN

Achten Sie darauf, vor Installation und Benutzung des Pools alle Informationen in dieser Bedienungsanleitung sorgfältig zu lesen, zu verstehen und zu befolgen. Diese Warnungen, Anweisungen und Sicherheitsrichtlinien beziehen sich auf einige allgemeine Gefahren in Verbindung mit wasserbasierten Freizeitaktivitäten, sie können jedoch nicht sämtliche Gefahren und Risiken abdecken. Seien Sie immer entsprechend vorsichtig, vertrauen Sie auf Ihren natürlichen Menschenverstand. Bewahren Sie diese Hinweise auf, damit Sie später darin nachlesen können.

Sicherheit von Nichtschwimmern

- 1) Anfänger und Nichtschwimmer sollten kontinuierlich, aktiv und wachsam von einem kompetenten Erwachsenen beaufsichtigt werden (denken Sie daran, dass bei Kindern unter fünf Jahren die größte Gefahr des Ertrinkens besteht);
- 2) Bestimmen Sie einen kompetenten Erwachsenen zur Überwachung des Pools bei jeder Benutzung;



- 3) Anfänger und Nichtschwimmer sollten bei Benutzung des Pools Schwimmhilfen tragen;

- 4) Wenn der Pool nicht benutzt oder nicht beaufsichtigt wird, entfernen Sie alle Spielzeuge aus und rund um den Pool, damit sich Kinder nicht zu nah am Pool aufhalten.

Sicherheitsvorrichtungen

- 1) Sie sollten eine Barriere installieren (und alle Türen und Fenster sichern, sofern zutreffend), damit niemand unautorisiert in den Pool steigt;
- 2) Barrieren, Poolabdeckungen, Poolalarne oder ähnliche Sicherheitsvorrichtungen sind praktische Hilfen, ersetzen jedoch keine kontinuierliche und kompetente Beaufsichtigung durch einen Erwachsenen.

Sicherheitsausrüstung

- 1) Sie sollten Rettungsausrüstung (z. B. Rettungsring) in der Nähe des Pools aufbewahren;
- 2) Bewahren Sie ein funktionierendes Telefon und eine Liste mit Notrufnummern in der Nähe des Pools auf.

Sichere Benutzung des Pools

- 1) Ermutigen Sie alle Nutzer, insbesondere Kinder, schwimmen zu lernen;
- 2) Erlernen Sie grundlegende lebensrettende Sofortmaßnahmen (Herz-Lungen-Wiederbelebung) und frischen Sie dieses Wissen regelmäßig auf. Dies kann bei einem Notfall Leben retten;
- 3) Weisen Sie alle Poolbenutzer, einschließlich Kindern, an, was bei einem Notfall zu tun ist;
- 4) Springen Sie niemals kopfüber in flaches Wasser. Andernfalls drohen ernsthafte oder sogar lebensgefährliche Verletzungen;
- 5) Verwenden Sie den Pool nicht, wenn Alkohol oder Medikamente Ihre Fähigkeit zur sicheren Benutzung des Pools beeinträchtigen;

TEIL 1 – SICHERHEITSANWEISUNGEN

- 6) Wenn Poolabdeckungen genutzt werden, entfernen Sie sie vor dem Einsteigen in den Pool von der Wasseroberfläche;
- 7) Schützen Sie Poolbenutzer von wasserrelevanten Krankheiten, indem Sie das Poolwasser behandeln und auf gute Hygiene achten. Beachten Sie die Richtlinien zur Wasserbehandlung in der Bedienungsanleitung;
- 8) Halten Sie Chemikalien (bspw. Produkte zur Wasserbehandlung, Reinigung oder Desinfektion) von Kindern fern.
- 9) Nutzen Sie die Schilder wie unten gezeigt;
- 10) Abnehmbare Leitern sollten auf einer horizontalen Fläche angebracht werden.

11) **Warnung: Ein abgelassener Pool im Freien kann unvorhersagbare Gefahren verursachen.**

WARNUNG: Installation und Montage dürfen nur von Erwachsenen durchgeführt werden.

WARNUNG: Lesen und befolgen Sie zur Gewährleistung einer sicheren Verwendung des Poolsets die Anweisungen zur Nutzung und Wartung. Bei Nichtbeachtung der Anweisungen zur Nutzung und Wartung können ernsthafte gesundheitliche Risiken

– insbesondere für Kinder – entstehen.

– insbesondere für Kinder – entstehen.

WARNUNG: Nur für den privaten Einsatz im Freien vorgesehen.

WARNUNG: Gefahr des Ertrinkens. Kinder können bereits in kleinen Wassermengen ertrinken.

WARNUNG: Leeren Sie den Pool bei Nichtbenutzung. Lassen Sie einen kleinen Pool nicht leer im Freien.



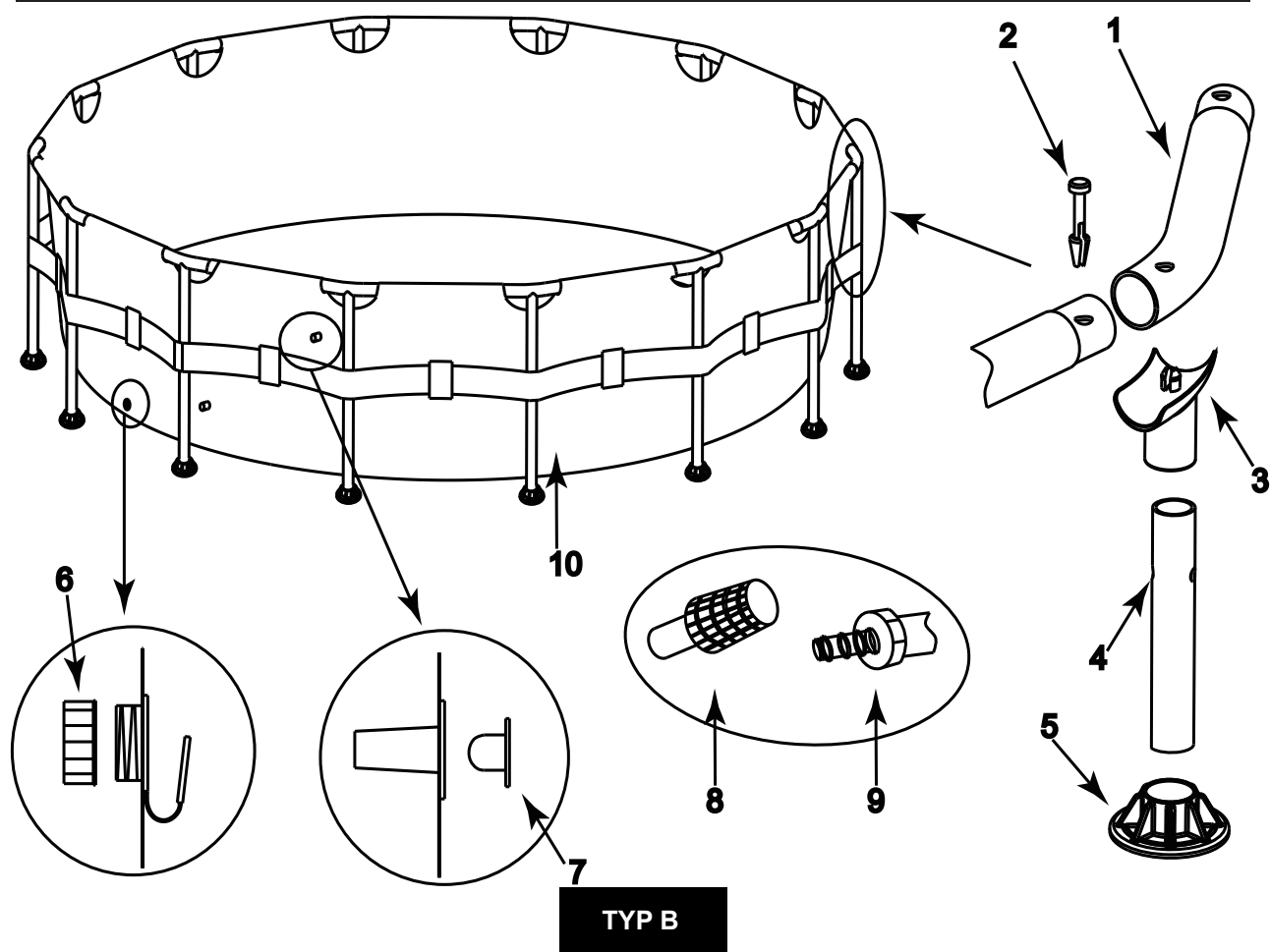
WARNUNG: Kinder im Wasser und der Wasserumgebung stets beaufsichtigen.



WARNUNG: Nicht springen.

Dieses Sicherheitsschild muss an einer gut sichtbaren Stellen innerhalb von 2 m des Pools aufgestellt werden. Alternativ können Sie das Schild mit einem Vinyl-basierten Kleber (nicht im Lieferumfang enthalten) an der Poolwand neben dem Ein- und Ausstieg anbringen. Achten Sie darauf, dass es für alle Personen, die sich dem Pool nähern, gut sichtbar ist.

TEIL 2 - DIE EINZELTEILE



Modell	Größe	Wasserkapazität	Pumpe	Leiter
17798XX	Φ10' x 30" (Φ3m x 76cm)	1158Gal(4383L)	√	x
17798	Φ10' x 30" (Φ3m x 76cm)	1158Gal(4383L)	x	x

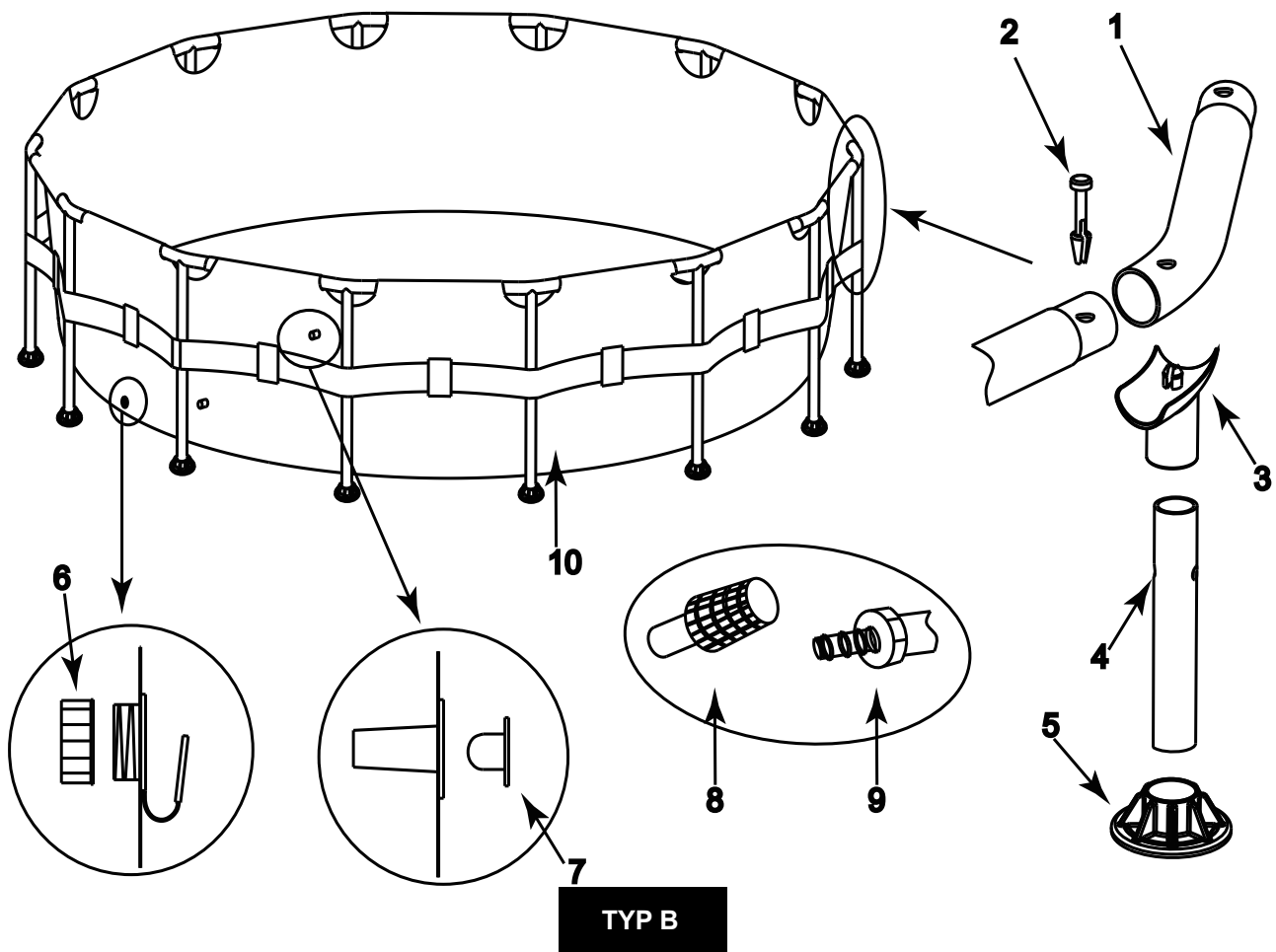
XX : DE/EU/GB/FR/IL/CH/BR

TEIL 2 - DIE EINZELTEILE

Bevor Sie Ihren Pool zusammenbauen, breiten Sie den angelieferten Inhalt aus und überprüfen Sie ihn, um sich mit allen Teilen, die Sie während der Montage benötigen, vertraut zu machen:
HINWEIS: Die Zeichnungen dienen nur der Illustration. Das tatsächliche Produkt könnte etwas anders aussehen. Nicht maßstabsgetreu.

Φ10 Fuß x 30 Zoll (Φ3m x 76 cm)			
NR.	NAME	ANZAHL	SERIENNUMMER
1	Horizontal holm	8	290187
2	PVC-Stift	8	290181
3	T-Verbindungsstück	8	290317
4	Vertikales Bein	8	290188
5	Kappe für vertikales Bein	8	290185
6	Ventilabdeckung für Abfluss	1	290366
7	Stöpsel	2	290311
8	Lochsieb	2	290312
9	Abfluss ventilanschluss	1	290364
10	Poolverkleidung	1	393248
	Farbe	BLAU	

TEIL 2 - DIE EINZELTEILE



Modell	Größe	Wasserkapazität	Pumpe	Leiter
17799XX	Φ12' x 30" (Φ3.6m x 76cm)	1617Gal(6125L)	√	x
17799	Φ12' x 30" (Φ3.6m x 76cm)	1617Gal(6125L)	x	x
17800XX	Φ14' x 33" (Φ4.2m x 84cm)	2508Gal(9495L)	√	x
17800	Φ14' x 33" (Φ4.2m x 84cm)	2508Gal(9495L)	x	x

XX : DE/EU/GB/FR/IL/CH/BR

TEIL 2 - DIE EINZELTEILE

Bevor Sie Ihren Pool zusammenbauen, breiten Sie den angelieferten Inhalt aus und überprüfen Sie ihn, um sich mit allen Teilen, die Sie während der Montage benötigen, vertraut zu machen:

HINWEIS: Die Zeichnungen dienen nur der Illustration. Das tatsächliche Produkt könnte etwas anders aussehen. Nicht maßstabsgetreu.

	Φ12 Fuß x 30 Zoll (Φ3.6m x 76 cm)			Φ14 Fuß x 33 Zoll (Φ4.2m x 84 cm)	
NR.	NAME	ANZAHL	SERIEN NUMMER	ANZAHL	SERIEN NUMMER
1	Horizontal holm	10	290197	12	393131
2	PVC-Stift	10	290181	12	290181
3	T-Verbindungs stück	10	290318	12	290183
4	Vertikales Bein	10	290188	12	393132
5	Kappe für vertikales Bein	10	290185	12	290185
6	Ventilabdeckung für Abfluss	1	290366	1	290366
7	Stöpsel	2	290311	2	290311
8	Lochsieb	2	290312	2	290312
9	Abfluss ventilanschluss	1	290364	1	290364
10	Poolverkleidung	1	393249	1	393250
	Farbe	BLAU		BLAU	

TEIL 3 - AUFSTELLUNGORT

WARNUNG: Pools, die auf unebenen Oberflächen aufgestellt werden, neigen zu Undichtigkeiten, Verformungen oder Zusammensturz, gefolgt von Sachbeschädigung oder schwerer Körperteilung derjenigen, die sich im oder um den Pool herum aufhalten!

WARNUNG: Verwenden Sie für die Aufstellung keinen Sand. Sollte die Verwendung eines „Mittels zur Einebnung“ erforderlich werden, dann ist Ihr Aufstellungsort sehr wahrscheinlich ungeeignet. NICHTBEACHTUNG DIESER WARNUNG KANN SCHWERE KÖRPERVERLETZUNGEN ZUR FOLGE HABEN.

ACHTUNG: Wählen Sie Ihren Aufstellungsort sorgfältig aus, denn Rasen und anderer wünschenswerter Pflanzenwuchs wird unterhalb der Bodenplane (sofern vorhanden) absterben. Achten Sie zudem auch darauf, die Bodenplane (sofern vorhanden) nicht auf Bereiche zu legen, in denen häufig kraftvolle Pflanzen- und Unkrautarten sprießen, denn sie könnten sich durch die Bodenplane (sofern vorhanden) bohren.

ACHTUNG: Der Pool muss für einen 110- oder 230-Volt-Netzstromanschluss erreichbar sein, der mit einem Fehlerstromschutzschalters (FI-Schalter) geschützt ist. Der Pool muss in einem Mindestabstand von 2 Metern zur Stromquelle aufgestellt werden, aber nicht weiter als die Länge der Filterpumpenleitung. Unter keinen Umständen darf eine Verlängerungsschnur verwendet werden, um den Anschlussbereich zu verlängern.

Das wichtigste ist die Wahl eines geeigneten Aufstellungsortes für Ihren Pool, BEVOR Sie es mit Wasser befüllen. Wählen Sie einen Aufstellungsort, der den folgenden Richtlinien sehr genau entspricht:

Anleitung 1. Überzeugen Sie sich davon, dass der gewählte Ort fest, flach (keine Höcker oder Erdhügel) und extrem eben ist, wobei eine Neigung von mehr als 3 ° an keiner Stelle am Aufstellungsort überschritten werden darf.

Anleitung 2. Vergewissern Sie sich, dass der gewählte Aufstellungsort für den Pool komplett frei von Ästen, Steinen, scharfkantigen Gegenständen oder anderen Fremdoobjekten ist.

Anleitung 3. Wählen Sie einen Ort, der nicht direkt unterhalb von Stromleitungen oder Bäumen liegt. Achten Sie zudem darauf, dass sich im Untergrund des Aufstellungsortes für den Pool keinerlei Rohrleitungen, Zuleitungen oder Kabel befinden.

Anleitung 4. Sollte Ihrem Poolset eine Bodenplane mitgeliefert worden sein, wird dringendst empfohlen, diese auch zu verwenden. Die Bodenplane hat den Zweck, die Poolverkleidung vor Beschädigungen aufgrund von Unkrautwuchs, scharfkantigen Gegenständen und Kleinteilen zu schützen.

Anleitung 5. Sofern möglich, wählen Sie eine offene Stelle auf Ihrem Grundstück, die direkt von der Sonne bestrahlt wird. Dadurch wird Ihr Pool aufgewärmt.

Flacher, ebener Boden-RICHTIG

Hügeliger, schräger Boden-FALSCH



TEIL 4 - AUFSTELLEN DES POOLS

WICHTIG: Beginnen Sie nicht mit der Montage, wenn Teile fehlen sollten. Rufen Sie den Kundendienst Ihrer Region an, wenn Sie Ersatzteile benötigen.

Die für die Installation benötigte Anzahl an Personen: Mindestens 2 Erwachsene.

Die Installationszeit, abgesehen von der Zeit zur Vorbereitung des Aufstellungsortes und zum Befüllen mit Wasser:

30 Minuten für die Größen $\Phi 10$ Fuß x 30 Zoll/ $\Phi 12$ Fuß x 30 Zoll

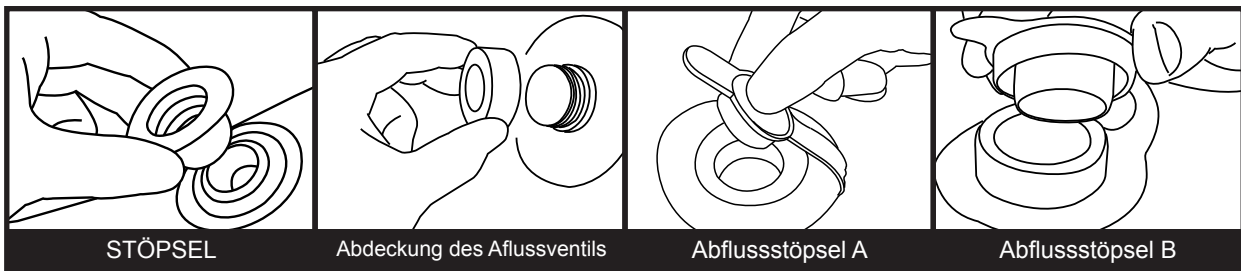
45 Minuten für die Größen $\Phi 14$ Fuß x 33 Zoll/

Schritt 1. ÜBERPRÜFEN SIE DAS VORHANDENSEIN ALLER TEILE.

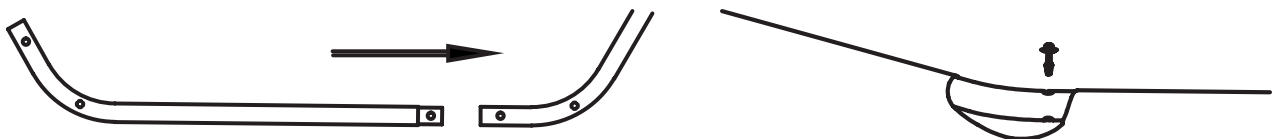
Nehmen Sie alle Teile aus ihren Kartons und legen Sie sie dort auf den Boden, wo sie zusammengebaut werden. Prüfen Sie jedes Teil entsprechend der Liste im Abschnitt „DIE EINZELTEILE“. Achten Sie darauf, dass alle vorhandenen Teile auch montiert werden.

Schritt 2. INSTALLIEREN SIE DIE ABDECKUNG DER ABFLUSSVENTILE UND DIE STÖPSEL

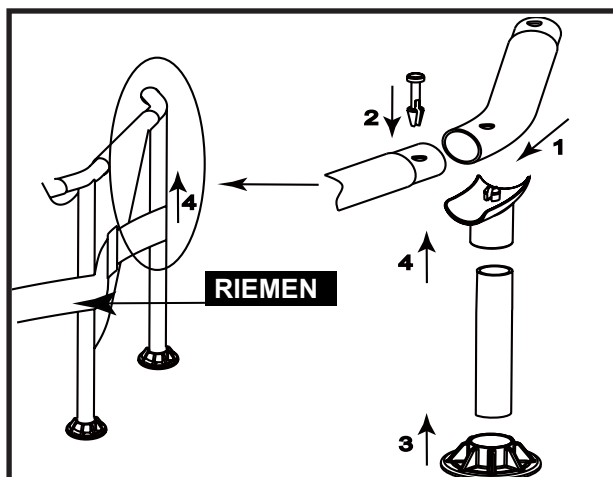
Vergewissern Sie sich, dass der Abflusstöpsel in die Abflusskappe hineingesteckt und die Abdeckung des Abflussventils fest angeschraubt ist. Verschließen Sie die Verbindungslöcher mit den Stöpseln. (Der Abflusstöpsel fällt je nach Poolgröße anders aus.)



Schritt 3. INSTALLIEREN SIE DEN HORIZONTALHOLM



Schritt 4. INSTALLIEREN SIE DAS T-VERBINDUNGSTÜCK (FÜR TYP B)



1. Verbinden Sie das Anschlussende vom T-Verbindungsstück mit den danebenliegenden horizontalen Schläuchen.
2. Stecken Sie den Stift fest in das Loch des verbundenen horizontalen Schlauches und des T-Verbindungsstücks
3. Installieren Sie die Kappe des vertikalen Beines am vertikalen Bein.
4. Stecken Sie das vertikale Bein durch den Riemen in das T-Verbindungsstück.

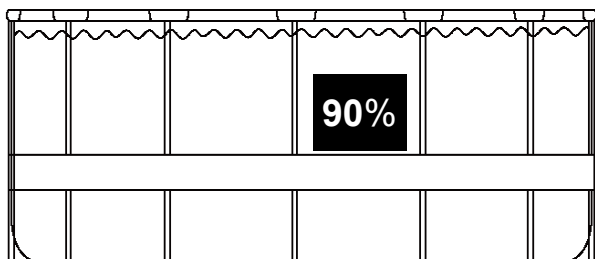
Tip: Wenn Sie das Loch im horizontalen Schlauch oder vertikalen Bein nicht finden können, drehen Sie bitte die Schläuche, bis der Stift auf das Loch trifft.

TEIL 5 - BEFÜLLEN DES POOLS MIT WASSER

WARNUNG: Lassen Sie den Pool nicht unbeaufsichtigt stehen, während Sie ihn mit Wasser befüllen.

WARNUNG: Wenn sich an einer Seite mehr als 2,5 ~ 5 cm Wasser ansammelt, bevor die Mitte aufgefüllt ist, steht der Pool nicht eben und muss richtig aufgestellt werden! Ziehen Sie den Abflussstöpsel heraus, lassen Sie das gesamte Wasser ab, demontieren Sie den gesamten Pool und stellen Sie den Pool durch erneute Errichtung anweisungsgemäß ganz eben auf.

WARNUNG: Füllen Sie NICHT ZUVIEL Wasser in den Pool, denn der Pool könnte zusammenbrechen. Bei schweren Regenfällen sollten Sie etwas Wasser abschöpfen, um sicherzustellen, dass der Pegel richtig ist.



1. Vergewissern Sie sich, dass das Abflusszubehör fest hineingesteckt und die Kappe angebracht ist. Beginnen Sie damit, den Pool mit Wasser zu befüllen. Befindet sich ca. 2,5 cm tiefes Wasser im Pool, stoppen Sie die Befüllung und glätten Sie den Poolboden. Ziehen Sie die Außenwand vom oberen Rand rings um den Poolboden nach außen, damit er gleichmäßig befüllt wird.

2. Fahren Sie mit der Poolbefüllung fort, bis Wasserstand.

TEIL 6 - ÜBERWINTERUNG UND LANGZEITLAGERUNG

WARNUNG: Achten Sie beim Ablassen des Wassers darauf, dass keine Kinder im Abwärtsfluss und dem Abfluss gegenüber stehen. Die Wasserströmung könnte die Kinder mitreißen.

WARNUNG: Der Pool sollten an einem kühlen und trockenen Ort gelagert werden, wo ihn keine scharfkantigen Gegenstände umgeben oder keine schweren Gegenstände auf ihm liegen, denn er könnte dadurch beschädigt werden.

Schritt 1. Wenn Sie eine Filterpumpe haben, achten Sie darauf, dass die Filterpumpe nicht an eine Stromquelle angeschlossen ist.

Schritt 2. Vergewissern Sie sich, dass der Abflusstöpsel innen im Pool fest hineingesteckt ist.

Schritt 3. Verbinden Sie Ihren Gartenschlauch mit dem Schlauchadapter und legen Sie das andere Schlauchende dort hin, wo das Wasser gefahrlos abfließen kann, z.B. Gully oder Straßenabfluss. Denken Sie daran, dass das Wasser immer seine eigene Nivellierung findet, so dass das Schlauchende niedriger sein muss als der Pool, um einen kompletten Abfluss sicherzustellen.

Schritt 4. Wenn Sie eine Filterpumpe haben, stecken Sie den Stöpsel in die Zufluss- und Abflusshalterungen innen im Pool und trennen Sie dann die Schläuche der Filterpumpe ab.

Schritt 5. Verbinden Sie den Schlauchadapter mit dem Abfluss, indem Sie den Adapter im Uhrzeigersinn aufschrauben.

Schritt 6. Öffnen Sie den Abflusstöpsel innen im Pool, woraufhin das Wasser sofort abfließt.

Schritt 7. Trennen Sie den Schlauch und den Abflussadapter, wenn Sie fertig sind.

Schritt 8. Bringen Sie wieder den Abflusstöpsel innen im Pool an.

Schritt 9. Vergewissern Sie sich, dass die Poolverkleidung komplett trocken ist, bevor Sie den Pool für eine längerfristige Lagerung zusammenfalten. Wenn Sie den Pool ein paar Stunden dem Sonnenlicht aussetzen, beschleunigt sich der Trocknungsvorgang und es fällt leichter, den Pool für die Lagerung zusammenzufalten. (Versuchen Sie nie, einen Pool zu falten oder zu verstauen, der nicht komplett trocken ist, da dies zur Verbreitung von Schimmelpilz oder zur Schimmelbildung während der Lagerzeit des Pools führen könnte.)

Schritt 10. Vergessen Sie nicht, dass eine angemessene Lagerung außerhalb der Saison ein wichtiger Aspekt zum Schutz Ihrer Investition in Ihrem Pool ist. (Besonders im Winter.) Sobald das gesamte Wasser aus dem Pool abgeflossen und er trocken ist, sollten Sie ihn sorgfältig zusammenfalten und in eine wasserabweisende Bodenplane (falls verfügbar) oder eine Schutzplane aus ähnlichem Material einwickeln. Der Pool mitsamt dem gesamten Zubehör wie Pumpe, Abdeckung, Bodenplane, Leiter, Schläuche, Klemmen und Kleinteile sollte zusammen und in einem angemessen warmen, trockenen und wettergeschützten Raum in einem Haus aufbewahrt werden.

FALTANLEITUNG

Vor dem Zusammenfalten ist es ratsam, alle Teile und den Pool zum Trocknen ca. eine Stunde lang in die Sonne zu legen. (Abb. 1). Bepudern Sie den Pool dann mit etwas Talkum, damit das Vinyl nicht zusammenklebt.

Schritt 1. Falten Sie die vorstehende Seite bitte nach innen, um eine rechteckige Form zu erhalten. (Abb. 2).

Schritt 2. Falten Sie jede Hälfte des Rechtecks, um ein kleineres Rechteck zu erhalten. (Abb. 3).

Schritt 3. Falten Sie alle Enden nach hinten. (Abb. 4).

Schritt 4. Falten Sie die restlichen Enden zusammen, um ein einziges Rechteck zu erhalten. (Abb. 5).

TIPP 1. Entfernen Sie bitte die Luft im Innern, damit der zusammengefaltete Pool bei jedem Falten dünn und flach wird.

TIPP 2. Die Originalverpackung kann für die Lagerung verwendet werden.

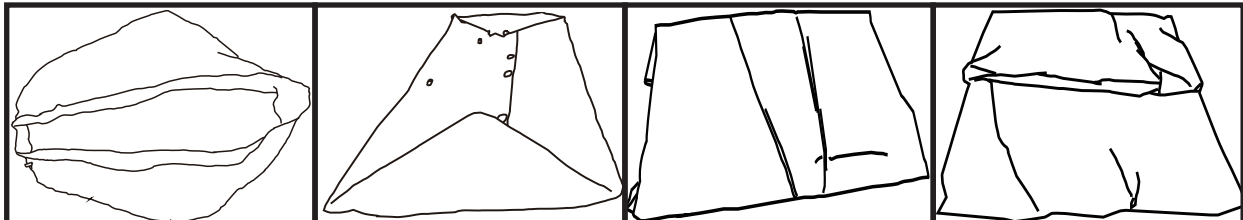


ABB. 1

ABB. 2

ABB. 3

ABB. 4

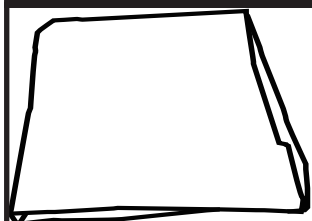


ABB. 5

TEIL 7 - PFLEGE DES POOLS UND WASSERAUFBEREITUNG WÄHREND DER SAISON

WARNUNG: Die zu Ihrem Pool gehörige Filterpumpe, sofern vorhanden, hat den Zweck, Schmutz und andere kleine Teilchen aus dem Badewasser zu entfernen. Um jedoch ein Badewasser zu bekommen, das stets sauber, frei von Algen und schädlichen Bakterien ist, ist es SEHR WICHTIG, EINEN KONSEQUENTEN PLAN FÜR DIE CHEMISCHE WASSERAUFBEREITUNG UMZUSETZEN. Erkundigen Sie sich bei Ihrem lokalen Händler für Poolartikel nach einem sicheren und wirksamen Einsatz von Chlor, Schockbehandlungen, algentötenden Mitteln und anderen derartigen Chemikalien.

WARNUNG: Um Haut- und Augenirritationen oder sogar Verletzungen bei den Badenden zu vermeiden, dürfen Sie niemals Chemikalien in den Pool geben, wenn sich gerade Personen darin befinden. Geben Sie niemals Chemikalien oder Substanzen in Ihren Pool, wenn Sie nicht nachvollziehen können, welche genaue Mengen oder welcher Typ dem Wasser hinzugefügt werden muss. Informieren Sie bei einem Händler für Pools nach Anweisungen und Richtlinien für die Verwendung diesbezüglicher Chemikalien in Ihrem Pool.

WARNUNG: Es wird Pool-Besitzern dringendst empfohlen, das Wasser im Pool oft zu testen, um sicherzustellen, dass der pH-Wert und die Chlorkonzentration im Wasser optimal ist für ein sicheres und angenehmes Baden über die gesamte Saison hinweg. Ihr Händler für Poolbedarf berät Sie gerne, um ein geeignetes Testset und Anweisungen für seinen Gebrauch zu finden.

WARNUNG: Eine Nichtbeachtung dieser Wartungsregeln kann die Gesundheit der Badenden, insbesondere der von Kindern, stark gefährden.

Dieses Produkt ist ein lagerfähiger, saisonal nutzbarer Pool. Leben Sie in einer Klimazone, in der der Pool nicht ganzjährig genutzt wird, wird DRINGENDST EMPFOHLEN, das Wasser aus dem Pool abzulassen, ihn gründlich zu reinigen und zu trocknen und ihn außerhalb der Saison an einem geschützten Ort aufzubewahren. Auf diese Weise verlängert sich die Lebenszeit Ihres Pools und es wird ein Sicherheitsrisiko eingedämmt, während der Pool nicht genutzt wird. In der Zeit, in der der Pool genutzt wird, muss das Filtersystem (sofern vorhanden) jeden Tag so lange in Betrieb gesetzt werden, dass die gesamte Wassermenge mindestens einmal ganz erneuert wird.

Damit das Wasser in Ihrem Pool die gesamte Saison über sauber und hygienisch bleibt, müssen Sie sich streng an die folgenden Richtlinien halten:

1. Ein richtiger und durchgehender Gebrauch grundlegender Chemikalien für Pools ist erforderlich, um einen angemessenen pH-Wert im Poolwasser aufrecht zu erhalten. Zudem verhindert die Anwendung von Chemikalien das Wachstum schädlicher Bakterien oder Algen in Ihrem Pool und unterstützt die Filterpumpe bei der Reinhaltung Ihres kristallklaren Wassers. Chemikalien, die in Ihrem Pool eingesetzt werden sollten, sind unter anderem:

- 1) Chlor in Form von Tabletten, Granulat oder Flüssigkeit: Desinfiziert das Poolwasser und verhindert Algenwuchs.
- 2) Chemikalien, die den pH-Wert regulieren: Diese dienen zur Korrektur den pH-Wertes und machen das Wasser mehr oder weniger sauer.
- 3) Algenvernichtungsmittel: Diese Chemikalien werden zur Vernichtung von Algen eingesetzt.
- 4) „Schock“ (Super-Chlorierung): Eliminiert bestimmte organische und anderweitige kombinierte Verbindungen, welche die Klarheit des Wassers beeinträchtigen.

Informieren Sie bei einem lokalen Händler für Poolbedarf nach bestimmten Details für den Einsatz von Chemikalien, teilen Sie ihm mit, wieviel Wasser Ihr Pool aufnimmt, und, falls gewünscht, geben Sie ihm eine Probe Ihrem Poolwasser. Er wird dann in der Lage sein, Sie bezüglich folgender Punkte richtig zu beraten: 1) welche Chemikalien gekauft werden sollten, 2) welche Mengen an Chemikalien gekauft werden sollten und 3) wie die einzelnen Chemikalien gefahrlos und effektiv verwendet werden.

2. Achten Sie darauf, dass Chlor niemals direkt mit der Poolverkleidung in Kontakt kommt, sondern erst in einem komplett aufgelösten Zustand. Dies bedeutet, dass Sie Chlor in Granulat- oder Tablettenform erst in einem Eimer mit Wasser auflösen müssen, bevor Sie es in das Poolwasser geben; und flüssiges Chlor muss langsam und gleichmäßig von verschiedenen Stellen um den Pool herum hineingegossen werden.

GEFAHR: Gießen Sie NIEMALS Wasser auf Chemikalien. SONDERN fügen Sie Chemikalien dem Wasser hinzu. Vermischen Sie auch niemals getrennte Chemikalien, sondern geben Sie diese getrennt in den Pool, wobei die jeweilige Chemikalie sich erst im gesamten Pool verteilt haben muss, bevor Sie eine andere Chemikalie hinzufügen.

3. Wir empfehlen den Erwerb eines Testsets für eine häufige Kontrolle des Poolwassers, um sicherzustellen, dass der pH-Wert und die Chlorkonzentration optimal sind. Ihr lokaler Händler für Poolbedarf informiert Sie gerne über den Kauf und den Gebrauch eines Testsets, das für Ihren Bedarf am geeignetsten ist. HINWEIS: Eine übermäßige Chlorkonzentration und auch niedrige (saure) pH-Werte können die Poolverkleidung beschädigen und erfordern sofortige Maßnahmen zur Behebung, wenn das Testergebnis eines von beiden anzeigt.

Das Entfernen von größeren Schmutzteilen aus Ihrem Pool und das Reinigen der Poolverkleidung sind Aufgaben, die ein Pflegeset für

TEIL 7 - PFLEGE DES POOLS UND WASSERAUFBEREITUNG WÄHREND DER SAISON

Pools, bestehend aus einem Blattabschöpfer und eine mit dem Gartenschlauch betriebene Saugvorrichtung, vereinfacht. Pflegesets enthalten Sie als Bonus beim Erwerb von größeren Poolsystemen, Sie können sie auch separat als Zubehör erwerben. Wenden Sie sich bitte an Ihr Kundendienstcenter vor Ort, wenn Sie Ratschläge für Reparaturarbeiten während der Lebenszeit des Poolsets benötigen.

4. Prüfen Sie die Filterpumpenpatrone alle zwei Wochen (oder häufiger, wenn der Pool häufig benutzt wird), um sich vergewissern, ob sie gereinigt oder ersetzt werden muss. Sieht die Patrone nicht mehr weiß aus, versuchen Sie, die Patrone mit einem starken Wasserstrahl aus Ihrem Gartenschlauch zu reinigen. Lässt sich die Patrone auf diese Weise nicht mehr reinigen, muss sie ersetzt werden. Wenn Sie Ihre Patronen nicht häufig reinigen und/oder ersetzen, beeinträchtigt dies die Wirksamkeit Ihrer Filterpumpe und kann auch ihre Nutzungsdauer verkürzen.

5. Gehört zu Ihrem Poolsystem auch eine Abdeckung, decken Sie den Pool immer ab, wenn er unbenutzt ist. Auf diese Weise können Wind und andere Elemente keinen Schmutz und keine Kleinteile in Ihren Pool hineinbringen und überschüssiges Regenwasser kann Ihren Pool auch nicht zum Überlaufen bringen.

6. Erinnern Sie Ihre Familienangehörigen und Freunde daran, dass sie sich vor Betreten des Pools immer erst den Schmutz oder Hautöle von ihren Händen, Füßen und dem Körper mit einem Schlauch abspritzen oder unter fließendem Wasser abspülen.

7. Die Bolzen und Kleinteile des Pools müssen bei Bedarf untersucht werden (z. B. auf Rostflecke).

8. Sobald Ihr Pool für die Saison mit Wasser aufgefüllt ist, achten Sie darauf, ob er sich aufgrund von Regen oder per Zufall übermäßig auffüllt. In diesem Fall ist es wichtig, das überschüssige Wasser sobald wie möglich abzulassen oder herauszuschöpfen. Wenn es sich um einen aufblasbaren Ringpool handelt, sollte der Wasserpegel niemals höher sein als der Unterrand des aufblasbaren Rings.

9. Ungeachtet der für die Poolkonstruktion verwendeten Materialien sollten die zugänglichen Flächen zur Vermeidung von Verletzungen regelmäßig geprüft werden.

TEIL 8 - FEHLERBEHEBUNG

Anweisungen zum Reparaturflicken

(Kleine Löcher und kleine Einstichstellen können mit dem beiliegenden Reparaturflicken repariert werden)

a) Finden Sie die Leckstelle.

b) Die Luft ablassen.

c) Reinigen Sie den Bereich um die Leckstelle herum und wischen Sie alles Wasser von der Oberfläche ab.

d) Nehmen Sie den Reparaturflicken heraus, schneiden Sie ihn in die gewünschte Form und Größe, die größer als die undichte Stelle sein sollte, setzen Sie den Reparaturflicken auf die undichte Stelle und drücken Sie ihn fest an.

e) Warten Sie 30 Minuten bis die Reparaturstelle im Freien getrocknet ist.

Ist der Schaden zu groß, empfehlen wir die Reparatur mit Silikon- oder Kautschukkleber.

Anweisungen zum Reparaturkleber

1. Finden Sie die Leckstelle.

2. Falls erforderlich, die Luft ablassen und gründlich abtropfen lassen.

3. Reinigen Sie den Bereich um die Leckstelle herum und wischen Sie alles Wasser von der Oberfläche ab.

4. Reinigen Sie den Bereich um die Leckstelle gründlich und schneiden Sie ein Stück Reparaturmaterial in runder Form ab, das größer als die beschädigte Stelle sein sollte.

5. Kleben (muss separat gekauft werden) Sie eine Seite des Materialflickens auf die Reparaturstelle. Bitte beachten Sie, dass der Kleber gleichmäßig aufgetragen werden muss.

6. Legen Sie den Flicker auf die beschädigte Stelle und drücken Sie ihn fest an. Warten Sie 12 Stunden bis der Kleber trocken ist. Nach dem Trocknen des Klebers, tragen Sie Kleber um die Ränder für eine vollständige Abdichtung (4 Stunden trocknen lassen) zur die Lagerung im Schwimmbad auf.

TEIL 8 - FEHLERBEHEBUNG

PROBLEM	BESCHREIBUNG	URSACHE	BEHEBUNG
BEFÜLLTER POOL IST NICHT RUND	<ul style="list-style-type: none"> • Der Pool hat eine ovale, rechteckige oder „eiförmige“ Form angenommen. • Der Pool scheint auf einer Seite schief zu sein oder weist eine ungleichmäßige Wassertiefe auf. 	<ul style="list-style-type: none"> • Falten am Boden der Verkleidung wurden vor dem Befüllen nicht richtig geglättet. • Seitenwände wurden beim Füllen des Pools nicht richtig „herausgedrückt“, was dazu führt, dass sich der umlaufende Ring ganz oben außerhalb der Seitenwände des Pools befindet. • Der Pool steht auf unebenem oder abschüssigem Boden. 	<ul style="list-style-type: none"> • Lassen Sie Wasser aus dem Pool ab, bis es nur noch 2,5 cm tief ist, und glätten Sie so viele Falten wie möglich. • Lassen Sie Wasser aus dem Pool ab, bis es nur noch 2,5 cm tief ist, und drücken Sie die Seitenwände heraus, bis sie sich außerhalb des umlaufenden Rings ganz oben befinden. • Achten Sie darauf, dass der Boden unter dem Pool sehr flach, eben und frei von Bodenerhebungen ist.
GEFÄRBTES WASSER	<ul style="list-style-type: none"> • Wasser verfärbt sich bei erstmaliger Chlorierung blau, braun oder schwarz. 	<ul style="list-style-type: none"> • Das Chlor oxidiert mit den Mineralien in Ihrem Wasser. Dies tritt häufig bei Wasser aus unterschiedlichen Quellen auf. 	<ul style="list-style-type: none"> • Passen Sie den pH-Pegel dem empfohlenen Wert an. • Lassen Sie den Filter laufen, bis das Wasser klar ist. • Patrone regelmäßig reinigen.
PARTIKEL SCHWEBEN IM WASSER	<ul style="list-style-type: none"> • Wasser sieht „milchig“ oder trübe aus. 	<ul style="list-style-type: none"> • „Hartes Wasser“ aufgrund eines erhöhten pH-Wertes. • Unzureichende Chlorierung. • Fremdkörper im Wasser. • Die Badenden haben vor Betreten des Pools nicht ihre Füße gereinigt. 	<ul style="list-style-type: none"> • Passen Sie den pH-Wert an. Erkundigen Sie sich bei einem Händler für Poolbedarf nach der richtigen Wasseraufbereitung. • Achten Sie auf einen richtigen Chlorwert. • Reinigen oder ersetzen Sie Ihren Filter. • Spritzen Sie Schmutz vor dem Betreten mit einem Hochdruckschlauch ab.
DURCHGÄNGIG NIEDRIGER WASSERSTAND	<ul style="list-style-type: none"> • Der Pool scheint täglich Wasser zu verlieren. 	<ul style="list-style-type: none"> • Riss oder Loch in der Poolverkleidung. • Riss oder Loch in einem Filterpumpenschlauch. • Schlauchklemmen sind zu locker. • Verdunstung aufgrund hoher, sommerlicher Temperaturen. 	<ul style="list-style-type: none"> • Finden Sie die beschädigte Stelle und reparieren Sie sie mit dem beigefügten Flicker. • Reparieren oder ersetzen Sie die Schläuche. • Ziehen Sie alle Schlauchklemmen fest an. • Decken Sie den Pool ab, wenn er unbenutzt ist.
ALGEN	<ul style="list-style-type: none"> • Wasser hat eine grünliche Färbung. • Grüne, braune oder schwarze Flecken erscheinen an der Poolverkleidung. • Boden des Pools ist rutschig und/oder ein unangenehmer Geruch ist vorhanden. 	<ul style="list-style-type: none"> • Algenbildung. 	<ul style="list-style-type: none"> • Führen Sie eine „Schockbehandlung“ durch (Super-Chlorinierung). Prüfen Sie den pH-Wert und passen Sie ihn so an, wie es Ihnen ein lokaler Händler für Poolbedarf mitgeteilt hat. • Saugen Sie die Poolverkleidung ab oder schrubben Sie sie leicht sauber. • Prüfen Sie das Wasser oft, um angemessene Chlorwerte beizubehalten.
POOL-WASSER IST KÜHL	<ul style="list-style-type: none"> • Wasser erwärmt sich nicht auf eine angenehme Badetemperatur. 	<ul style="list-style-type: none"> • Der Pool wurde an einer sehr schattigen Stelle oder in einem von Bäumen umgebenen Bereich aufgestellt. • Hitze entweicht aus dem Poolwasser. 	<ul style="list-style-type: none"> • Stellen Sie den Pool an einer offeneren Stelle neu auf, wo er während der Haupttageszeit eine maximale Sonnenbestrahlung erhält. • Decken Sie Ihren Pool stets ab, wenn es unbenutzt ist.

TEIL 9 - EINGESCHRÄNKTE GARANTIE

Falls Einzelteile vom Besitzer ausgetauscht, beschädigt oder zweckentfremdet wurden, erlischt die entsprechende Garantie für diese Einzelteile. In diesem Fall werden Ihnen die Kosten für die Ersatzteile und die weiteren Vorgehensweisen mitgeteilt.

Bei nachweislichen Herstellungsmängeln reparieren wir sämtliche Produkte innerhalb der Garantiezeit oder tauschen sie (nach unserem Ermessen) aus, sofern ein dazugehöriger Kaufbeleg vorgelegt wird.

Diese eingeschränkte Garantie gilt nicht, wenn das Produkt kommerziell eingesetzt wurde oder die Schäden aufgrund von Unfällen, höherer Gewalt, Missbrauch, Fahrlässigkeit, Vandalismus, falschem Einsatz von Chemikalien, extremer Witterung oder Fahrlässigkeit bei der Montage oder Demontage eintraten.

Wir haften nicht für Installationskosten, Arbeitsaufwand oder Transportkosten, die beim Austausch von defekten Teilen entstehen. Zudem gilt diese eingeschränkte Garantie nicht für unautorisierte Modifikationen am Produkt.



IMPORTANTI NORME DI SICUREZZA

LEGGERE, COMPNDERE E ATTENERSI CON CURA A TUTTE LE ISTRUZIONI
PRIMA DI INSTALLARE E USARE IL PRODOTTO!

Piscina con struttura rotonda in acciaio

MANUALE UTENTE

PER LE SEGUENTI DIMENSIONI:

TIPO B: -Φ10' x 30" (Φ3m x 76 cm)

-Φ12' x 30" (Φ3.6m x 76 cm)

-Φ14' x 33" (Φ4.2m x 84 cm)



Le illustrazioni sono a solo scopo indicativo. I prodotti effettivi potrebbero variare. Non in scala.
Le informazioni dettagliate su modello e dimensioni del prodotto sono indicate alla fine del presente manuale!

NON RIPORTARE IL PRODOTTO AL NEGOZIO

STOP!

SHANGHAI JILONG SPORT AND LEISURE PRODUCTS CO., LTD
2555 XiuPu Road, Pudong Area, Shanghai, China.

www.avenli.com

JIANGSU JILONG SPORT AND LEISURE PRODUCTS CO., LTD

NO.1 Industrial Area South Zhongchen Road Zhongyang Town, Suqian, Jiangsu, China



LEGGERE CON ATTENZIONE E CONSERVARE PER RIFERIMENTI FUTURI!

CONTENUTI

ISTRUZIONI DI SICUREZZA-----	02
MODELLI E COMPONENTI-----	04
SELEZIONE DEL SITO DI MONTAGGIO-----	08
INSTALLAZIONE DELLA PISCINA-----	09
RIEMPIRE LA PISCINA DI ACQUA-----	10
CONSERVAZIONE PER L'INVERNO E CONSERVAZIONE A LUNGO TERMINE-----	11
MANUTENZIONE STAGIONALE DELLA PISCINA E CURA DELLA QUALITÀ DELL'ACQUA-----	12
RISOLUZIONE DEI PROBLEMI-----	13
GARANZIA LIMITATA-----	14

PARTE1-ISTRUZIONI DI SICUREZZA

Leggere attentamente, comprendere e osservare tutte le informazioni del presente manuale prima di installare ed utilizzare la piscina. Queste avvertenze, istruzioni e linee guida di sicurezza affrontano alcuni rischi comuni che possono presentarsi mentre si è in acqua, ma non possono coprire tutti i casi di rischio e pericolo. Usare sempre cautela e buon senso quando ci si diverte in acqua. Conservare queste informazioni per riferimento futuro.

Sicurezza di non nuotatori

- 1) Assicurare la supervisione continua e vigile di nuotatori principianti e non nuotatori da parte di un adulto competente (ricordarsi che i bambini sotto i cinque anni sono a più alto rischio di annegamento);
- 2) Designare un adulto competente per supervisionare la piscina ogni volta che viene utilizzata;



- 3) I nuotatori principianti e non nuotatori devono indossare sempre dispositivi di protezione personale durante l'uso della piscina;

- 4) Quando la piscina non è in uso o senza supervisione, rimuovere tutti i giocattoli dalla piscina e dai suoi dintorni per evitare di attirare i bambini in piscina.

Dispositivi di sicurezza

- 1) Si consiglia di installare una barriera (e chiudere tutte le porte e le finestre, ove necessario) per impedire l'accesso non autorizzato alla piscina;
- 2) Barriere, coperture, allarmi piscina o dispositivi di sicurezza simili sono aiuti utili, ma non sostituiscono la supervisione continua e competente da parte di un adulto.

Attrezzature di sicurezza

- 1) Si consiglia di mantenere le attrezzature di soccorso (ad esempio, un salvagente) a bordo piscina;
- 2) Tenere un telefono funzionante e un elenco dei numeri di emergenza accanto alla piscina.

Uso sicuro della piscina

- 1) Incoraggiare tutti gli utenti, in particolare i bambini, ad imparare a nuotare;
- 2) Imparare le tecniche di base di sostegno alle funzioni vitali (rianimazione cardiopolmonare - RCP) e aggiornare periodicamente le proprie nozioni. Potrebbero salvare vite in caso di emergenza;
- 3) Istruire tutti gli utenti della piscina, compresi i bambini, su come agire in caso di emergenza;

PARTE 1 - ISTRUZIONI DI SICUREZZA

- 4) Non tuffarsi nell'acqua poco profonda. Ciò potrebbe comportare lesioni gravi o morte;
- 5) Non usare la piscina quando si assumono alcol o farmaci, in quanto potrebbero compromettere la capacità di utilizzare la piscina in modo sicuro;
- 6) Quando si utilizzano coperture per la piscina, rimuoverle completamente dalla superficie dell'acqua prima di entrare in piscina;
- 7) Proteggere gli occupanti della piscina da malattie correlate all'acqua, trattando l'acqua della piscina e praticando una buona igiene. Consultare le linee guida di trattamento dell'acqua nelle istruzioni per l'uso;
- 8) Conservare i prodotti chimici (ad esempio, per i prodotti di trattamento, pulizia o disinfezione dell'acqua) fuori dalla portata dei bambini.
- 9) Utilizzare segnaletica, come indicato di seguito;
- 10) Le scale amovibili devono essere poste su una superficie orizzontale.
- 11) Avvertenza: una piscina all'aperto senza acqua potrebbe causare pericoli sconosciuti.

ATTENZIONE: Il montaggio deve essere effettuato da uno o più adulti.

ATTENZIONE: L'utilizzo del kit piscina implica il rispetto delle prescrizioni di sicurezza descritte nelle istruzioni per l'uso e la manutenzione. Il mancato rispetto delle prescrizioni per la manutenzione può comportare gravi rischi per la salute, in particolare per quella dei bambini.

ATTENZIONE: Esclusivamente per uso domestico all'esterno.

ATTENZIONE: Rischio di annegamento. I bambini possono annegare in poca acqua.

ATTENZIONE: Svuotare la piscina quando non è utilizzata. Non lasciare una piscinetta vuota all'esterno.



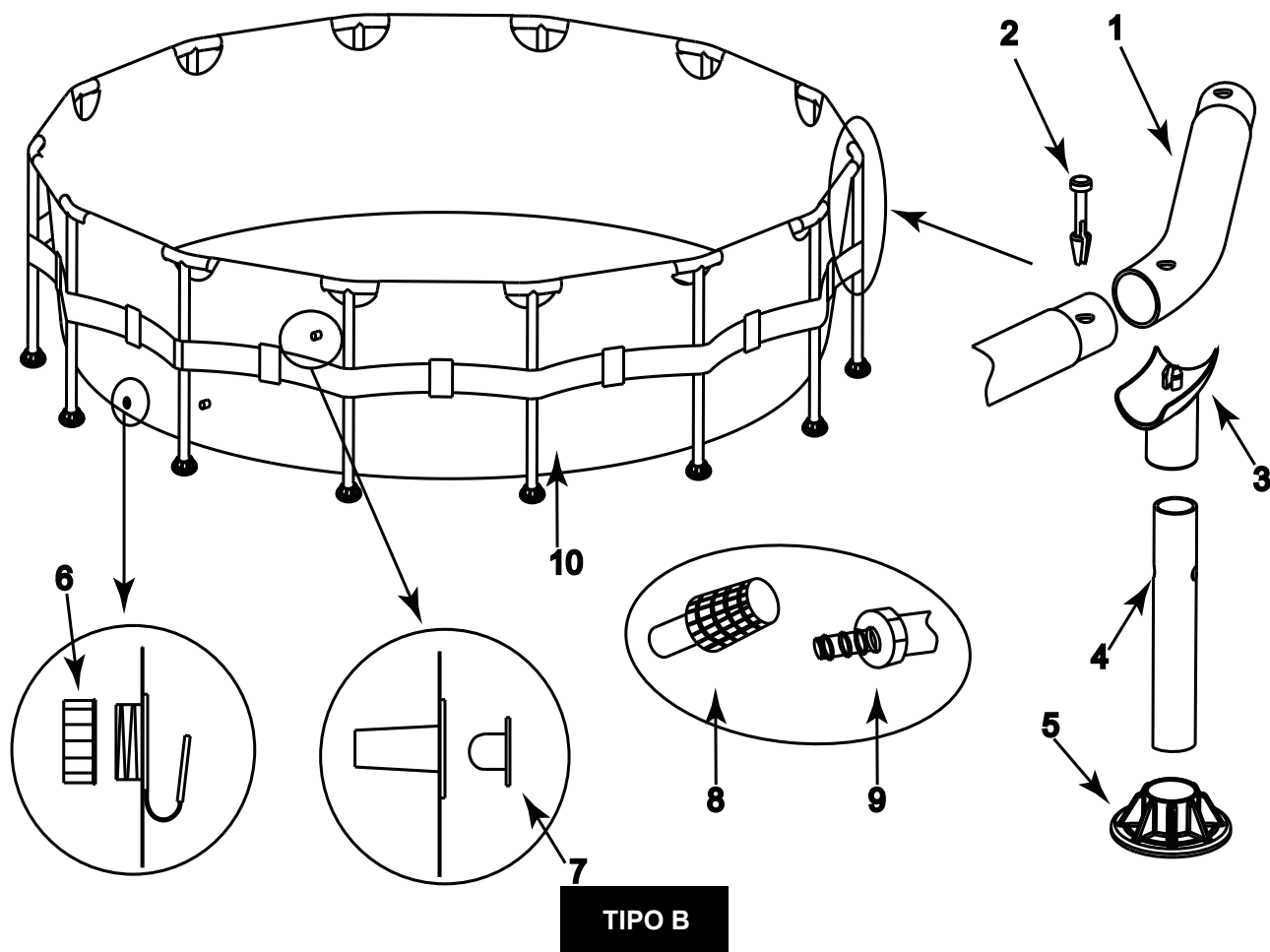
ATTENZIONE: Tenere i bambini sotto sorveglianza nell'ambiente acquatico.



ATTENZIONE: Non tuffarsi.

Questo cartello di sicurezza deve essere collocato in una posizione ben visibile entro 2 m dalla piscina. In alternativa è possibile acquistare una colla a base vinilica (non inclusa) per incollare il cartello sulla parete della piscina accanto al punto di entrata e di uscita, assicurandosi che sia ben visibile a tutti gli utenti quando si avvicinano alla piscina.

PARTE 2-MODELLI E COMPONENTI



Modello	Dimensioni	Capacità dell'acqua	Pompa	Scaletta
17798XX	Φ10' x 30" (Φ3m x 76cm)	1158Gal(4383L)	√	x
17798	Φ10' x 30" (Φ3m x 76cm)	1158Gal(4383L)	x	x

XX : DE/EU/GB/FR/IL/CH/BR

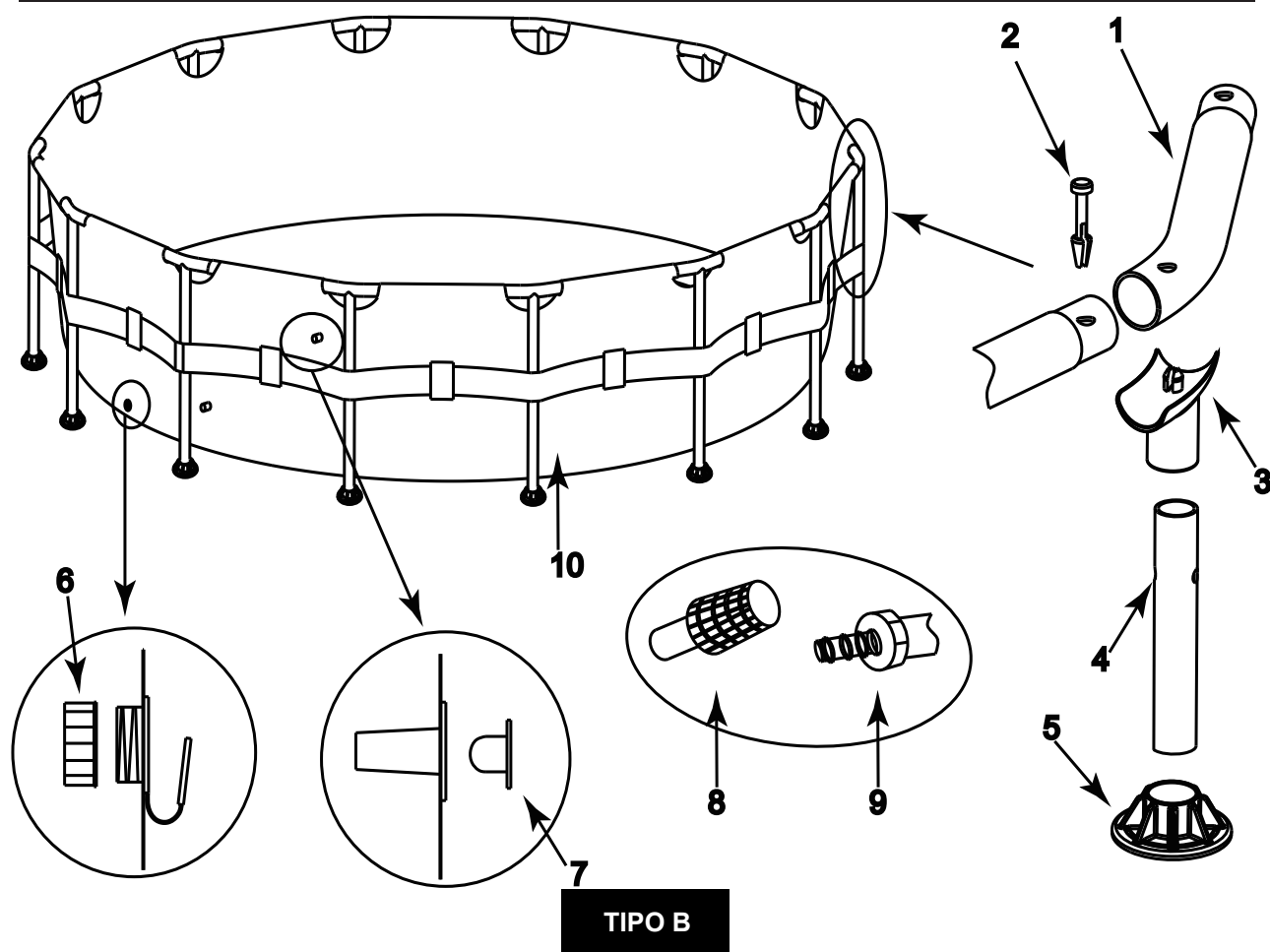
PARTE 2-MODELLI E COMPONENTI

Prima di montare la piscina, disporre e controllare i contenuti per prendere dimestichezza con tutte le parti utilizzate durante il montaggio:

NOTA: Le illustrazioni sono a solo scopo indicativo. I prodotti effettivi potrebbero variare. Non in scala.

Φ10'x30" (Φ3m x 76 cm)			
N.	NOME	QUANTITÀ	NUMERO DI SERIE
1	Asta orizzontale	8	290187
2	Perno in PVC	8	290181
3	Giunto a T	8	290317
4	Supporto verticale	8	290188
5	Cappuccio supporto verticale	8	290185
6	Coperchio valvola di scarico	1	290366
7	Bocchettone	2	290311
8	Foro per filtro	2	290312
9	Connettore valvola di scarico	1	290364
10	Rivestimento della piscina	1	393248
	Colore	BLU	

PARTE 2-MODELLI E COMPONENTI



Modello	Dimensioni	Capacità dell'acqua	Pompa	Scaletta
17799XX	Φ12' x 30''(Φ3.6m x 76cm)	1617Gal(6125L)	√	x
17799	Φ12' x 30''(Φ3.6m x 76cm)	1617Gal(6125L)	x	x
17800XX	Φ14' x 33''(Φ4.2m x 84cm)	2508Gal(9495L)	√	x
17800	Φ14' x 33''(Φ4.2m x 84cm)	2508Gal(9495L)	x	x

XX : DE/EU/GB/FR/IL/CH/BR

PARTE 2-MODELLI E COMPONENTI

Prima di montare la piscina, disporre e controllare i contenuti per prendere dimestichezza con tutte le parti utilizzate durante il montaggio:

NOTA: Le illustrazioni sono a solo scopo indicativo. I prodotti effettivi potrebbero variare. Non in scala.

N.	NOME	Φ12'x30" (Φ3.6m x 76 cm)		Φ14'x33" (Φ4.2m x 84 cm)	
		QUANTITÀ	NUMERO DI SERIE	QUANTITÀ	NUMERO DI SERIE
1	Asta orizzontale	10	290197	12	393131
2	Perno in PVC	10	290181	12	290181
3	Giunto a T	10	290318	12	290183
4	Supporto verticale	10	290188	12	393132
5	Cappuccio supporto verticale	10	290185	12	290185
6	Coperchio valvola di scarico	1	290366	1	290366
7	Bocchettone	2	290311	2	290311
8	Foro per filtro	2	290312	2	290312
9	Connettore valvola di scarico	1	290364	1	290364
10	Rivestimento della piscina	1	393249	1	393250
	Colore	BLU		BLU	

PARTE 3-SELEZIONE DEL SITO DI MONTAGGIO

AVVERTENZA: Le piscine installate su superfici inadeguate non piatte sono soggette a perdite, ad irregolarità o possono collassare, provocando danni alle proprietà e gravi lesioni a coloro che si trovano nelle vicinanze!

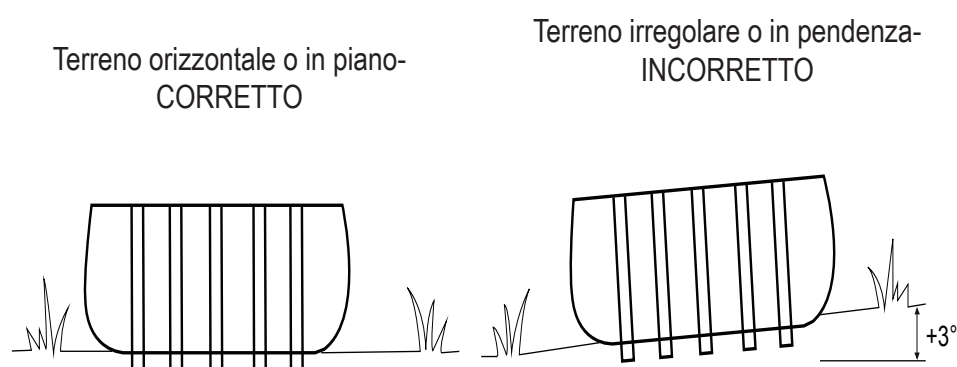
AVVERTENZA: Non utilizzare sabbia durante la procedura di posizionamento. Se è necessario utilizzare un "agente livellante", il sito prescelto non è adeguato. LA MANCATA OSSERVANZA DI QUESTA AVVERTENZA POTREBBE CAUSARE LESIONI PERSONALI.

ATTENZIONE: Scegliere attentamente l'area di installazione tenendo in considerazione che la vegetazione presente sotto il telo di fondo (se applicabile) morirà. Fare particolare attenzione alla presenza di piante graminacee o comunque piante aggressive che potrebbero svilupparsi sotto il telo di fondo (se applicabile).

ATTENZIONE: La piscina deve essere vicina ad una presa CA da 110 o 230 Volt protetta da un interruttore automatico differenziale (GFCI). La piscina non deve essere installata ad una distanza inferiore a 3 metri ed ad una distanza superiore alla lunghezza del cavo della pompa di filtrazione dalla presa di corrente. In nessun caso possono essere usate prolunghe.

È assolutamente essenziale selezionare un luogo adatto per la piscina PRIMA di tentare di riempirla con l'acqua. Selezionare un luogo di installazione che soddisfi rigidamente i requisiti che seguono:

1. Assicurarsi che l'area sia solida, piana (privo di dossi o montagnole di terra) e perfettamente livellata, con un'inclinazione non superiore a 3° in qualsiasi direzione all'interno di questo spazio.
2. Assicurarsi che l'area scelta per installare la piscina sia completamente libera da rametti, pietre, oggetti affilati o altri oggetti estranei.
3. Selezionare un'area che non sia direttamente sotto o sopra linee della tensione o alberi. Inoltre, assicurarsi che nel sottosuolo dell'area di installazione non vi siano tubi, linee o cavi di alcun tipo.
4. Se il kit contiene un telo di fondo, il suo utilizzo è vivamente raccomandato. Il telo consentirà di proteggere il rivestimento della piscina da danni causati da eventuali erbacce, oggetti appuntiti e detriti.
5. Se è possibile, scegliere un luogo aperto esposto alla luce diretta del sole. In questo modo si scalda la piscina.



PARTE 4-INSTALLAZIONE DELLA PISCINA

IMPORTANTE: Non iniziare ad installarla se mancano dei componenti. Per i pezzi di ricambio, chiamare al numero di telefono del Centro assistenza consumatori locale.

Numero di persone necessario per l'installazione: almeno 2 adulti.

Tempo di installazione totale, tranne il tempo necessario per la preparazione del sito e il riempimento di acqua:

30 minuti per dimensioni $\Phi 10' \times 30''/\Phi 12' \times 30''$

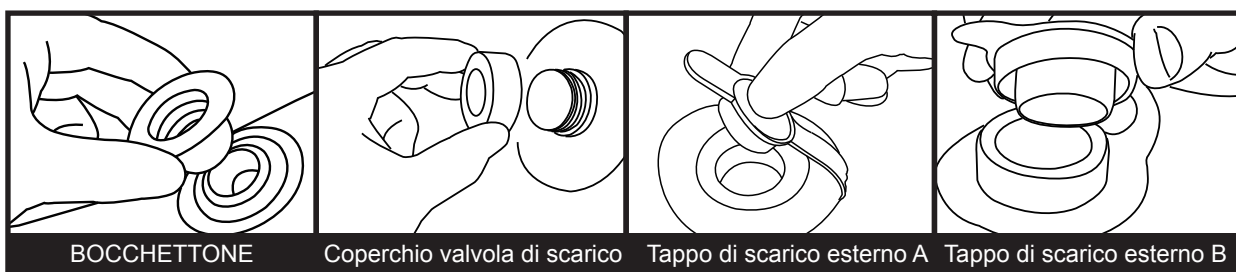
45 minuti per dimensioni $\Phi 14' \times 33''$

Passo 1. PER TUTTI I COMPONENTI.

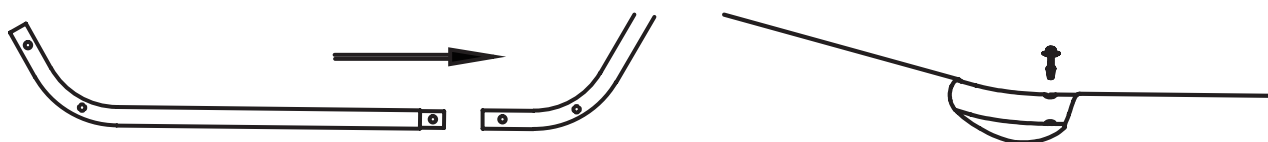
Rimuovere tutti i componenti dalle confezioni e disporli a terra nel luogo in cui devono essere assemblati. Controllare ogni componente in conformità a "MODELLI E COMPONENTI". Assicurarsi che siano presenti tutti i componenti da assemblare.

Passo 2. INSTALLARE IL COPERCHIO VALVOLA DI SCARICO E IL BOCCHETTONE

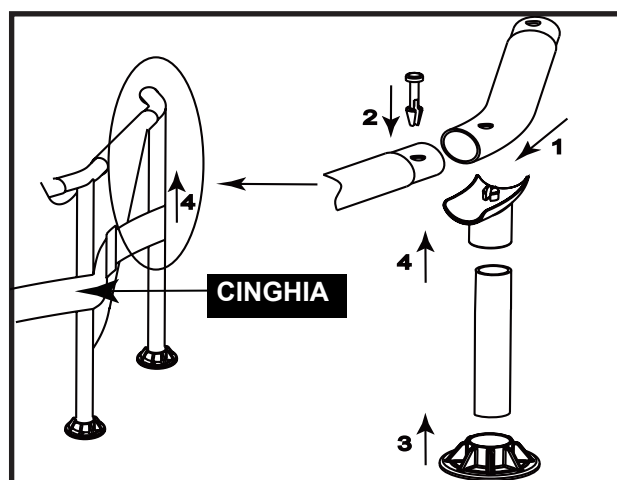
Assicurarsi che il tappo di scarico esterno sia inserito nella relativa capsula e il coperchio valvola di scarico sia avvitato. Chiudere i fori di collegamento con i bocchettoni. (Il tappo di scarico esterno cambia in base alle diverse dimensioni della piscina.)



Passo 3. INSTALLARE L'ASTA ORIZZONTALE



Passo 4. INSTALLARE IL GIUNTO A T (PER TIPO B)



1. Usare l'estremità di collegamento del tubo a T per collegare i tubi orizzontali adiacenti.
2. Inserire saldamente il perno nel foro del tubo orizzontale collegato al giunto a T.
3. Installare il cappuccio supporto verticale sul relativo supporto.
4. Inserire il supporto verticale nel giunto a T attraverso la cinghia.

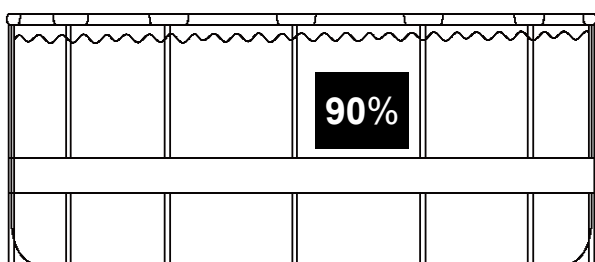
SUGGERIMENTO: Se non si riesce a trovare il foro sul tubo orizzontale e sul supporto verticale, ruotare i tubi finché il perno non incontra il foro.

PARTE 5-RIEMPIRE LA PISCINA DI ACQUA

AVVERTENZA: Non lasciare la piscina incustodita se è piena di acqua.

AVVERTENZA: Se vi sono circa 3-5 cm di acqua su ogni lato prima di iniziare a riempire la piscina, significa che non è completamente in piano e deve essere corretta la posizione! Estrarre il tappo di scarico, rilasciare completamente l'acqua, smontare del tutto la piscina, posizionare la piscina su una superficie piana, ripetere la procedura di installazione.

AVVERTENZA: NON RIEMPIRE ECCESSIVAMENTE per evitare di far collassare la piscina. In caso di forti piogge, potrebbe essere necessario svuotare un po' d'acqua al fine di garantire un livello corretto.



1. Assicurarsi che il raccordo di scarico sia inserito correttamente e la capsula sia in posizione. Iniziare a riempire la piscina di acqua. Con circa 3 cm di acqua sul fondo, interrompere il riempimento ed eliminare le pieghe sul fondo della piscina. Estrarre la parete esterna dal bordo superiore, intorno al fondo della piscina, in modo che si riempia uniformemente.

2. Continuare a riempire la piscina fino all'indicazione del livello dell'acqua.

PARTE 6-CONSERVAZIONE PER L'INVERNO E CONSERVAZIONE A LUNGO TERMINE

AVVERTENZA: Durante il drenaggio non permettere ai bambini di immergersi vicino allo scarico. La corrente di acqua potrebbe trascinare i bambini.

AVVERTENZA: La piscina deve essere conservata in luoghi freschi e asciutti, con nessun oggetto affilato nei pressi né oggetti pesanti sopra, al fine di evitare danni alla piscina.

Passo 1. Se si dispone di pompa di filtrazione, assicurarsi di scollegare la presa elettrica della pompa di filtrazione.

Passo 2. Controllare che il tappo di scarico esterno sia ben inserito sul lato interno della piscina.

Passo 3. Collegare un tubo al connettore della valvola di scarico e allungarlo fino a raggiungere una zona che consenta di scaricare l'acqua senza problemi, ad esempio in un tombino o un collettore della rete fognaria. Per garantire lo svuotamento completo della piscina è necessario porre l'estremità del tubo ad un'altezza inferiore a quella della piscina.

Passo 4. Se si dispone di pompa di filtrazione, inserire il bocchettone nei raccordi di entrata e di uscita, all'interno della piscina, quindi scollegare i tubi flessibili della pompa di filtrazione.

Passo 5. Montare il connettore valvola di scarico sull'uscita di scarico, facendolo ruotare in senso orario.

Passo 6. Aprendo il tappo di scarico esterno dall'interno della piscina, l'acqua inizia immediatamente a fuoriuscire.

Passo 7. Al termine dell'operazione, scollegare il tubo flessibile e il connettore valvola di scarico.

Passo 8. Riposizionare il tappo di scarico esterno all'interno della piscina.

Passo 9. Assicurarsi che il rivestimento della piscina sia ben asciutto prima di ripiegare la piscina per conservarla a lungo termine. È sufficiente lasciare per poche ore al sole la piscina per pulirla, farla asciugare più velocemente e facilitarne la piegatura (non piegare mai, né riporre la piscina bagnata anche solo parzialmente, pena la proliferazione di muffe o funghi durante la conservazione).

Passo 10. La buona conservazione invernale è fondamentale per la protezione della piscina (specialmente in inverno). Una volta scaricata e asciugata, la piscina va piegata con cura ed avvolta nel telo di fondo (se disponibile) o in un altro telone protettivo simile. La piscina e tutti gli accessori quali la pompa, la copertura, il telo di fondo, la scaletta, i tubi flessibili, i fermatubi e gli elementi vanno conservati assieme in una zona coperta, relativamente calda, asciutta e riparata dalle intemperie.

ISTRUZIONI PER RIPIEGARE LA PISCINA

Prima di piegarla, è meglio asciugare completamente tutti i componenti e la piscina al sole per un'ora circa (FIG. 1). Quindi, cospargere di talco per evitare che le superfici in PVC si attacchino.

Passo 1. Piegare i lati sporgenti all'interno per ottenere la forma rettangolare (FIG. 2).

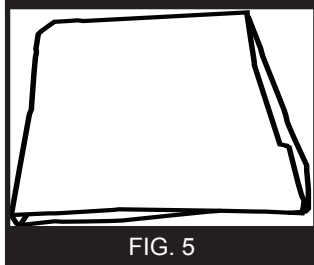
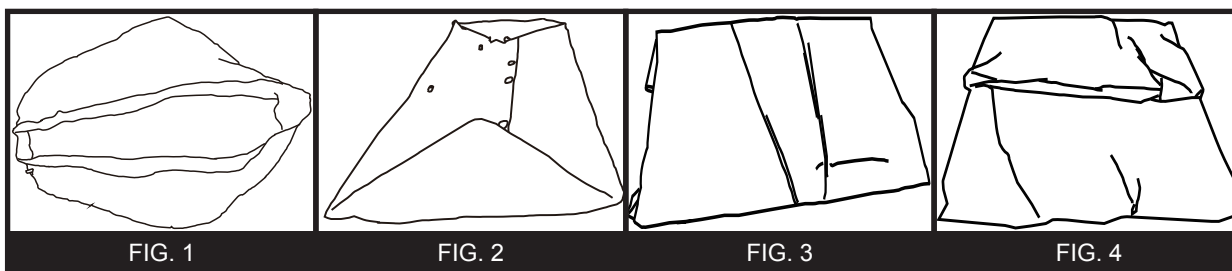
Passo 2. Piegare ogni metà del rettangolo per ottenere una forma rettangolare più piccola (FIG. 3).

Passo 3. Piegare all'indietro ogni estremità (FIG. 4).

Passo 4. Piegare le restanti estremità insieme per creare un rettangolo finale (FIG. 5).

CONSIGLI 1. Rimuovere l'aria all'interno per rendere sottile e piana la piscina piegata ad ogni piegatura.

CONSIGLI 2. Per la conservazione è possibile utilizzare la confezione originale.



PARTE 7-MANUTENZIONE STAGIONALE DELLA PISCINA E CURA DELLA QUALITÀ DELL'ACQUA

AVVERTENZA: Se applicabile, la pompa di filtrazione in dotazione con la piscina è progettata per rimuovere sporcizia e piccole particelle presenti nell'acqua. Tuttavia, per garantire che l'acqua sia perfettamente chiara, priva di alghe e purificata dai batteri, è **MOLTO IMPORTANTE PROVVEDERE AD UN ADEGUATO TRATTAMENTO CHIMICO**. Rivolgersi al proprio rivenditore per indicazioni sull'uso sicuro ed efficace di cloro, alghicidi e altre sostanze chimiche.

AVVERTENZA: Al fine di evitare irritazioni cutanee o agli occhi, non aggiungere sostanze chimiche in acqua quando è occupata. Non aggiungere sostanze chimiche in acqua senza verificare i dosaggi esatti e i tipi. Rivolgersi ad un rivenditore di piscine per istruzioni e indicazioni specifiche relative all'uso di sostanze chimiche in piscina.

AVVERTENZA: Si consiglia vivamente ai proprietari un test periodico dell'acqua per assicurarsi che il pH e la concentrazione di cloro nell'acqua sia ottimale per immergersi in modo sicuro in tutte le stagioni. Rivolgersi al rivenditore di piscine per ottenere un kit per lo svolgimento di tali test e istruzioni per l'uso.

AVVERTENZA: La mancata osservanza delle regole di manutenzione potrebbe causare seri danni per la salute, specialmente quella dei bambini.

Questo prodotto può essere immagazzinabile, è una piscina stagionale. Se ci si trova in un'area temperata in cui la piscina non sarà utilizzata per tutto l'anno, SI RACCOMANDA VIVAMENTE di sgonfiarla, pulirla e di farla asciugare completamente, quindi conservarla in un'area protetta durante le stagioni nelle quali non viene utilizzata. Questo contribuirà a prolungare la durata della piscina ed evitare lo sviluppo di rischi per la sicurezza mentre la piscina non è in uso. Nella stagione in cui si utilizza il kit per piscina, il sistema di filtraggio (se applicabile) deve essere messo in funzione ogni giorno, per un periodo di tempo sufficientemente lungo per garantire il rinnovo completo del volume di acqua presente.

Per mantenere l'acqua della piscina pulita ed igienica per tutta la stagione, attenersi strettamente alle seguenti direttive:

1. L'uso uniforme ed appropriato dei prodotti chimici di base per piscina è indispensabile per mantenere l'equilibrio del pH dell'acqua. Inoltre, l'applicazione dei prodotti chimici contribuisce a prevenire la crescita di dannosi batteri o alghe nella piscina, facilitando l'azione di purificazione della pompa di filtrazione. I prodotti chimici necessari per il mantenimento della piscina comprendono in modo non esclusivo:

- 1) Cloro in pastiglie, granuli o liquido: disinfetta l'acqua della piscina e inibisce la crescita alle alghe.
- 2) Prodotti di regolazione del pH: sono usati per correggere il livello di pH, stabilizzando l'acidità dell'acqua.
- 3) Alghicidi: impediscono la comparsa di alghe e ne rimuovono la presenza.
- 4) "Trattamento d'urto" (superclorazione): elimina alcuni composti organici che influiscono sulla chiarezza dell'acqua.

Per ottenere informazioni dettagliate sull'uso dei prodotti chimici, rivolgersi ad un rivenditore locale di prodotti per piscina ed indicargli il volume della piscina in dotazione, fornendogli, eventualmente, un campione di acqua. Il rivenditore è in grado di suggerire: 1) quali prodotti chimici acquistare, 2) in che quantità vanno acquistati, 3) come usarli in modo sicuro ed efficace.

2. Non porre mai il cloro a contatto diretto con il rivestimento della piscina, a meno che non sia completamente disciolto. In caso di cloro in granuli o pastiglie, dissolvere previamente il preparato in un secchio d'acqua prima di versarlo nella piscina. Similmente, in caso di cloro liquido, versarlo nell'acqua in modo lento ed uniforme, in vari punti lungo il perimetro della piscina.

PERICOLO: NON aggiungere acqua ai prodotti chimici. **AL CONTRARIO**, aggiungere sempre i prodotti chimici all'acqua. Inoltre non miscelare mai assieme sostanze chimiche diverse. Al contrario, versare separatamente i prodotti chimici nella piscina e lasciarli circolare nella piscina prima di aggiungerne altri.

3. Si suggerisce l'acquisto di un kit di test e di testare frequentemente l'acqua della piscina al fine di verificare che l'equilibrio del pH e il livello di cloro siano ottimali. Rivolgersi al rivenditore locale di prodotti per piscina in merito al miglior kit da acquistare ed al suo uso. **NOTA:** Livelli eccessivi di cloro e un pH troppo alto (acido) possono danneggiare il rivestimento della piscina. Pertanto, se il test rivela una di tali condizioni, intraprendere quanto prima le opportune misure correttive.

La rimozione dei detriti di maggiori dimensioni ed il mantenimento della pulizia del rivestimento della piscina sono semplificati dall'uso del kit di manutenzione, comprendente uno skimmer per le foglie ed un pulitore ad aspirazione azionato tramite tubo per innaffiare. I kit di manutenzione sono compresi nei sistemi di maggiori dimensioni e possono essere anche acquistati separatamente. Contattare il centro di assistenza post-vendita locale per consigli

PARTE 7-MANUTENZIONE STAGIONALE DELLA PISCINA E CURA DELLA QUALITÀ DELL'ACQUA

per consigli sulla riparazione dei kit per piscina.

4. Se applicabile, controllare lo stato di pulizia e l'eventuale necessità di sostituzione della cartuccia della pompa di filtrazione ogni due settimane (o più frequentemente durante i periodi di uso intenso). Se la cartuccia non è di colore bianco, si può tentare di pulirla con un tubo per innaffiare, spruzzandola con un forte getto d'acqua. Se non si riesce a pulirla, la cartuccia va sostituita. La mancata pulizia/sostituzione frequente della cartuccia compromette l'efficacia della pompa di filtrazione e ne può ridurre la vita utile.

5. Se il sistema per piscina include una copertura, conviene tenere sempre coperta la piscina quando non è in uso. Ciò eviterà che il vento e altri elementi depositino sporco e detriti nella piscina e anche che la piscina venga riempita eccessivamente per opera dell'acqua piovana.

6. Ricordare ai propri familiari e ai propri amici di eliminare da mani, piedi e corpo qualsiasi traccia di sporco o olio abbronzante prima di entrare nella piscina.

7. È necessario monitorare i bulloni e i fissaggi della piscina (ad esempio, macchie di ruggine) quando è possibile.

8. Una volta riempita la piscina per la stagione, controllare che non si riempia in modo eccessivo per sbaglio o a seguito di un acquazzone. In tal caso, è importante scaricare o svuotare l'acqua in eccesso non appena possibile. Se si tratta di una piscina con anello gonfiabile, il livello dell'acqua non deve mai superare il bordo inferiore dell'anello gonfiabile.

9. Indipendentemente dai materiali utilizzati per la costruzione della piscina, le superfici accessibili devono essere regolarmente controllate per evitare il rischio di lesioni.

PARTE 8-RISOLUZIONE DEI PROBLEMI

Pezza di riparazione

(Piccoli fori e piccole perdite di foratura possono essere riparati con la pezza di riparazione inclusa)

- a) Localizzare la perdita.
- b) Far uscire l'aria.
- c) Pulire l'area circostante e togliere tutta l'acqua dalla superficie.
- d) Estrarre la pezza di riparazione, tagliarla nella forma e nelle dimensioni richieste, che dovrebbero essere più larghe della zona di perdita, mettere la pezza sull'area di perdita e premere forte.
- e) Aspettare 30 minuti perché la zona riparata si asciughi all'aria.

Se il danno è troppo esteso, si consiglia di usare della colla a base di silicone o di gomma per la riparazione.

Istruzioni per la colla di riparazione

- 1 Localizzare la perdita.
- 2 Far uscire l'aria (se necessario) e drenare con cura.
- 3 Pulire l'area circostante la perdita e togliere tutta l'acqua dalla superficie.
- 4 Pulire con cura la zona circostante la perdita. Tagliare un pezzo di materiale di riparazione di forma circolare, più largo della zona di perdita.
- 5 Incollare (l'adesivo deve essere acquistato separatamente) un lato della pezza di materiale sulla zona di riparazione. Si raccomanda di distribuire in modo uniforme la colla sulla pezza di materiale.
- 6 Mettere la pezza sull'area di perdita e premere forte. Aspettare che si asciughi per 12 ore. Quando la pezza è asciutta, applicare la colla attorno ai bordi per una sigillatura completa (far asciugare per 4 ore) per l'immagazzinaggio della piscina.

PARTE 8-RISOLUZIONE DEI PROBLEMI

PROBLEMA	DESCRIZIONE	CAUSA	RIMEDIO
DOPO IL RIEMPIMENTO, LA PISCINA NON È TONDA	<ul style="list-style-type: none"> • La piscina ha assunto una forma ovale o rettangolare. • La piscina sembra inclinata di lato o l'acqua ha una profondità non uniforme. 	<ul style="list-style-type: none"> • Le pieghe nel fondo del rivestimento non sono state eliminate a sufficienza prima del riempimento della piscina. • Le pareti laterali non sono state spinte bene verso l'esterno durante il riempimento della piscina, causando la fuoriuscita dell'anello superiore dalla circonferenza delle pareti laterali. • La piscina è appoggiata su un terreno irregolare o in pendenza. 	<ul style="list-style-type: none"> • Scaricare l'acqua della piscina fino ad ottenere una profondità di 3 cm e poi eliminare le pieghe il più possibile. • Scaricare l'acqua della piscina fino ad ottenere una profondità di 3 cm e poi spingere verso l'esterno delle pareti laterali finché non fuoriescono dalla circonferenza dell'anello superiore. • Accertarsi che il terreno sotto la piscina sia piano, ben livellato e privo di montagnole di terra.
ACQUA COLORATA	<ul style="list-style-type: none"> • Una volta effettuato il trattamento con il cloro, il colore dell'acqua è blu, marrone o nera. 	<ul style="list-style-type: none"> • Il cloro sta ossidando i minerali presenti nell'acqua. È un fenomeno comune con acque di diversa provenienza. 	<ul style="list-style-type: none"> • Regolare il pH al livello consigliato. • Tenere in funzione il filtro finché l'acqua non risulta pulita. • Pulire regolarmente la cartuccia.
L'ACQUA PRESENTA PARTICELLE IN SOSPENSIONE	<ul style="list-style-type: none"> • L'acqua appare torbida o lattea. 	<ul style="list-style-type: none"> • La durezza dell'acqua produce un pH elevato. • La clorazione è inadeguata. • L'acqua contiene detriti. • I bagnanti non si puliscono i piedi prima di entrare in piscina. 	<ul style="list-style-type: none"> • Regolare il pH. Rivolgersi ad un rivenditore locale di prodotti per piscina per determinare il trattamento corretto dell'acqua. • Verificare il livello di cloro. • Pulire o sostituire il filtro. • Lavare via la sporcizia con un tubo per innaffiare ad alta pressione prima di entrare in piscina.
IL LIVELLO DELL'ACQUA RIMANE BASSO	<ul style="list-style-type: none"> • Sembra che la piscina perda progressivamente acqua. 	<ul style="list-style-type: none"> • Il rivestimento della piscina è forato o strappato. • Il tubo della pompa di filtrazione è forato o strappato. • I fermatubi sono troppo allentati. • L'acqua evapora a causa dell'elevata temperatura estiva. 	<ul style="list-style-type: none"> • Individuare il danno e ripararlo con il kit di manutenzione. • Riparare o sostituire i tubi. • Serrare tutti i fermatubi. • Mantenere coperta la piscina quando non è in uso.
PRESENZA DI ALGHE	<ul style="list-style-type: none"> • L'acqua ha una colorazione verdastra. • Il rivestimento della piscina evidenzia punti verdi, marrone o neri. • Il fondo della piscina è scivoloso e/o è presente un odore sgradevole. 	<ul style="list-style-type: none"> • Sono presenti alghe. 	<ul style="list-style-type: none"> • Eseguire un "trattamento d'urto" (superclorazione). Controllare il pH e regolarlo al livello appropriato indicato dal rivenditore locale di prodotti per piscina. • Pulire il rivestimento della piscina con il pulitore o una spazzola morbida. • Testare spesso l'acqua per mantenere la concentrazione adeguata di cloro.
L'ACQUA DELLA PISCINA È FREDDA	<ul style="list-style-type: none"> • La temperatura dell'acqua non raggiunge un livello confortevole per nuotare. 	<ul style="list-style-type: none"> • La piscina è stata posizionata in un luogo troppo ombreggiato o alberato. • Il calore fuoriesce dalla piscina. 	<ul style="list-style-type: none"> • Spostare la piscina in una posizione più aperta, in modo da esporla alla luce solare per la maggior parte della giornata. • Mantenere la piscina coperta quando non è in uso.

PARTE 9-GARANZIA LIMITATA

Se qualsiasi componente è stato sostituito, danneggiato o abusato dall'utente, la corrispondente garanzia su quei componenti è annullata. In questo caso saranno addebitati i costi delle parti di ricambio e della lavorazione.

Se durante il periodo di garanzia si trova un guasto di produzione verificabile, il prodotto sarà riparato o sostituito, a nostro insindacabile giudizio, salvo sia esibita una valida prova d'acquisto.

Questa garanzia limitata non è valida se il prodotto è usato per scopi commerciali, oppure se i danni sono provocati da incidente, atti divini, abuso, negligenza, cattivo uso, vandalismo, uso improprio dei prodotti chimici, esposizione a condizioni meteorologiche estreme o negligenza durante l'installazione o smontaggio del prodotto.

La società non è responsabile dei costi d'installazione, lavorazione o trasporto relativi alla sostituzione delle parti difettose. Questa garanzia limitata, inoltre, non copre alterazioni non autorizzate al prodotto.